



More Precision

IF2035 // Interface module for Industrial Ethernet connection



EtherNet/IP[®]

EtherCAT[®]

PROFI[®]
NET

Interface module for Industrial Ethernet connection

IF2035

Available for PROFINET, EtherNet/IP and EtherCAT

Compatible with Micro-Epsilon sensors with RS422 and RS485 interfaces

Synchronization output for RS422 sensors

4-fold oversampling function (with EtherCAT)

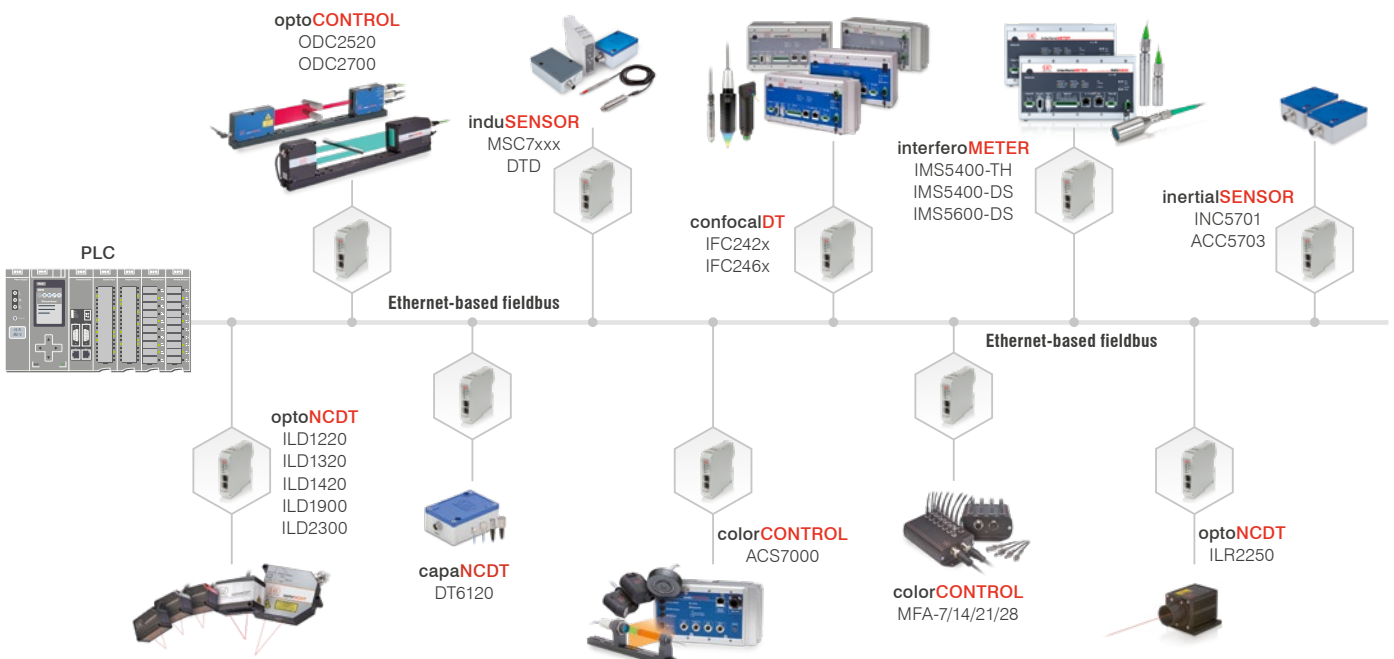
LED status display

DIN rail housing



The IF2035 interface modules are designed for easy connection of Micro-Epsilon sensors to Ethernet-based fieldbuses. The PROFINET, EtherNet/IP and EtherCAT modules are compatible with sensors that output data via an RS422 or RS485 interface. Depending on the interface used, one sensor (with RS422) or several sensors (with RS485) can be connected via one module. These modules operate on the sensor side with up to 4 MBd and have two network connections for different network topologies. Installation in control cabinets is via a DIN rail.

The interface modules are compatible with multiple sensors:

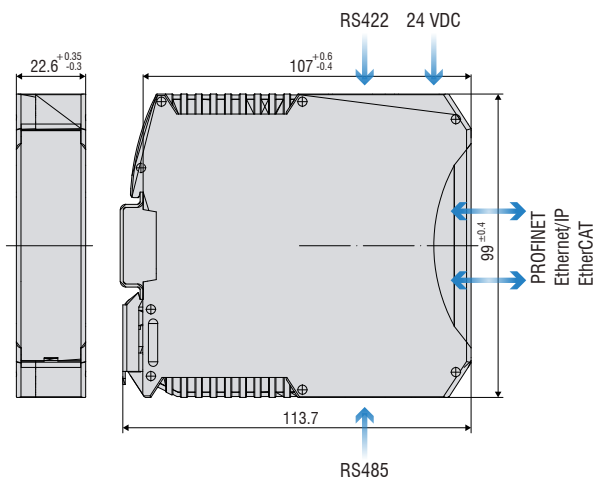


Model	IF2035-EtherCAT	IF2035-PROFINET	IF2035-EIP
Speed ^[1]	0.25 ms	1 ms, 0.5 ms (IRT)	1 ms
Supply voltage	9 ... 36 VDC		
Power consumption	approx. 1.25 W with 24 VDC (without sensor)		
Digital interface	RS422, RS485 (with Micro-Epsilon specific data protocol), baud rate 9600 baud ... 4 MBaud, EtherCAT	RS422, RS485 (with Micro-Epsilon specific data protocol), baud rate 9600 baud ... 4 MBaud, PROFINET	RS422, RS485 (with Micro-Epsilon specific data protocol), baud rate 9600 baud ... 4 MBaud, EtherNet/IP
Digital output	Digital output synchronization (TTL, HTL) for RS422 sensors		
Connection	2 x RJ45 for fieldbus, 4 screw terminals for sensor connection and power supply		
Mounting	DIN rail 35 mm		
Temperature range	Storage	-20 ... 70°C	
	Operation	0 ... 50 °C	
Humidity	5 % RH ... 95 % RH (non condensing)		
Shock (DIN EN 60068-2-27)	5 g, 6 ms, 1000 shocks, 3 axes in 2 directions each		
Vibration (DIN EN 60068-2-6)	2 g, sinusoidal excitation with 50 ... 2000 Hz, 10 cycles, 3 axes		
Protection class (DIN EN 60529)	IP20		
Compatibility	RS485	inertialSENSOR: ACC5703, INC5701; capaNCDT 6120; induSENSOR MSC7401, MSC7602, MSC7802, DTD	
	RS422	optoNCDT 1220, 1320, 1420, 1900, 2300; confocalDT 242x, 246x; interferoMETER IMS5400-TH, IMS5400-DS, IMS5600-DS; colorCONTROL ACS7000, MFAX; optoCONTROL 2520; 2700 optoNCDT ILR2250	
Control and indicator elements	4 status LEDs (System, Status, RUN, ERR)	4 status LEDs (System, Status, COM0, COM1)	4 status-LEDs (System, Status, NS, MS)
Special features ^[2]	EtherCAT compliant 2.3.0.0 / Software integration in PLC: ESI file	Certification: PNIO V2.43 / Software integration in PLC: GSDML file	Certification: CT-19.1 / Software integration in PLC: EDS file
Weight	approx. 120 g		

^[1] corresponds to the minimum cycle time

^[2] available for download on Micro-Epsilon website

Dimensions:



EtherNet/IP®

EtherCAT®

PROFI®
NET

Dimensions in mm, not to scale

Sensors and Systems from Micro-Epsilon



Sensors and systems for displacement, distance and position



Sensors and measurement devices for non-contact temperature measurement



Measuring and inspection systems for metal strips, plastics and rubber



Optical micrometers and fiber optics, measuring and test amplifiers



Color recognition sensors, LED analyzers and inline color spectrometers



3D measurement technology for dimensional testing and surface inspection