





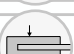


More Precision

induSENSOR // Linear inductive displacement sensors



Linear displacement sensors indu**SENSOR** LDR

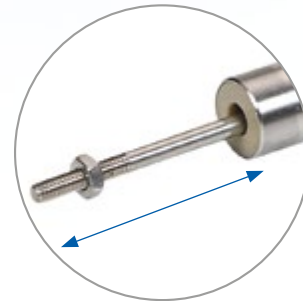
-  Operating temperature up to 160 °C
-  Compact design - short installation length
-  High measurement signal quality
-  Robust design IP67
-  Sensor diameter of only $\varnothing 8$ mm



The specific sensor configuration of the LDR linear displacement sensors is characterized by its short, compact design and small diameter. Only three connections are required as interface to the sensor. Their compact design and the small sensor diameter allow the measuring systems to be installed in confined spaces.

Fields of application

Low-cost LDR sensors are also particularly suitable for large-scale installation under restricted spatial conditions and in industrial environments with a high measuring rate.



Freely moving plunger

Article designation

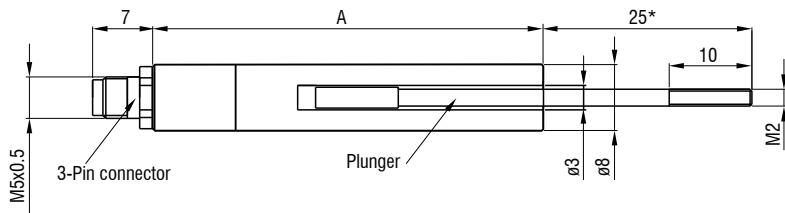
LDR	-10	-CA
Axial connections CA integral cable (2m) SA plug-in connection		
Measuring range in mm		
Principle: half-bridge sensor		



Model		LDR-10	LDR-25	LDR-50
Series		SA, CA	SA, CA	SA, CA
Measuring range		10 mm	25 mm	50 mm
Linearity	typ.	$\leq \pm 30 \mu\text{m}$	$\leq \pm 88 \mu\text{m}$	$\leq \pm 250 \mu\text{m}$
	max.	$\leq \pm 50 \mu\text{m}$	$\leq \pm 125 \mu\text{m}$	$\leq \pm 375 \mu\text{m}$
Temperature stability	Zero	$\leq 30 \text{ ppm FSO/K}$	$\leq 30 \text{ ppm FSO/K}$	$\leq 80 \text{ ppm FSO/K}$
	Max. temp. error	$\leq 100 \text{ ppm FSO/K}$	$\leq 100 \text{ ppm FSO/K}$	$\leq 150 \text{ ppm FSO/K}$
Sensitivity		51 mV / mm/V	21 mV / mm/V	5.5 mV / mm/V
Excitation frequency		21 kHz	13 kHz	9 kHz
Excitation voltage		550 mV		
Connection	CA	integrated cable (2 m) with open ends; axial cable outlet; cable diameter 1.8 mm; min. bending radius 10 mm (fixed installation)		
	SA	3-pin connector; axial output (see accessories for connection cable)		
Temperature range ^[1]	Storage	SA: -40 ... +80 °C; CA: -40 ... +160 °C		
	Operation	SA: -15 ... +80 °C; CA: -40 ... +160 °C		
Pressure resistance		Atmospheric pressure		
Shock (DIN EN 60068-2-27)		40 g / 6 ms in 3 axes, 1000 shocks each 100 g / 6 ms in 3 axes, 3 shocks each		
Vibration (DIN EN 60068-2-6)		$\pm 1.5 \text{ mm} / 10 \dots 58 \text{ Hz}$ in 2 axes, 10 cycles each $\pm 20 \text{ g} / 58 \dots 500 \text{ Hz}$ in 2 axes, 10 cycles each		
Protection class (DIN EN 60529)		IP67 (plugged)		
Material		Stainless steel (housing)		
Weight	Sensor	approx. 9 g (SA); approx. 24 g (CA)	approx. 14 g (SA); approx. 28 g (CA)	approx. 23 g (SA); approx. 37 g (CA)
	Plunger	approx. 1.5 g	approx. 2.2 g	approx. 3.5 g
Compatibility		MSC7401, MSC7802, MSC7602		

^[1] Determined using the box method (-40 ... +80 °C)

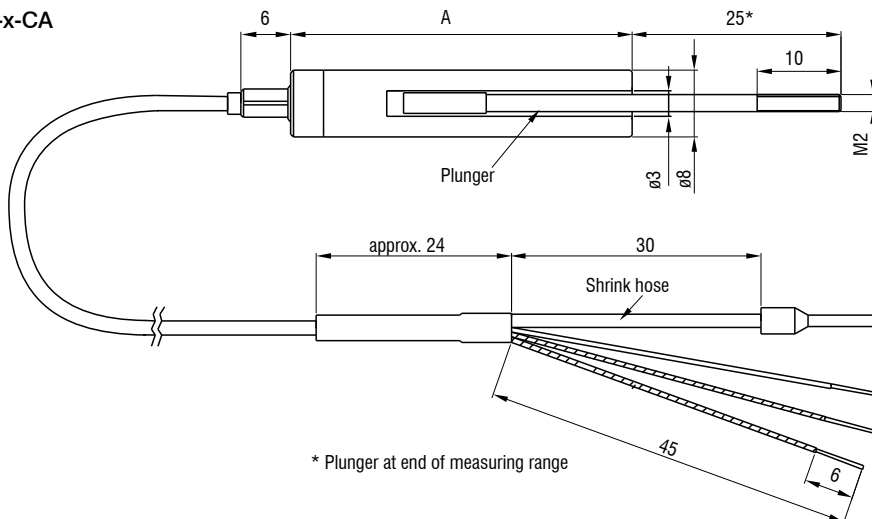
LDR-x-SA



* Plunger at end of measuring range

Model	A
LDR-10-SA	47 mm
LDR-25-SA	73 mm
LDR-50-SA	127 mm

LDR-x-CA



* Plunger at end of measuring range

Model	A
LDR-10-CA	41 mm
LDR-25-CA	67 mm
LDR-50-CA	121 mm

Dimensions in mm, not to scale

Mounting options and accessories

indu**SENSOR** DTA/LDR

Connection cables

0157047	C7210-5/3	Sensor cable, 5 m, with cable connector
0157048	C7210/90-5/3	Sensor cable, 5 m, with 90° cable connector

Service (see page 34/35)

Connector assembly M9 and cable reduction XXXX mm - DTA-x

Connector assembly M9 - DTA-x (see page 34/35)

Power supply cable

2901087	PC710-6/4	Supply/output cable, 6 m
---------	-----------	--------------------------

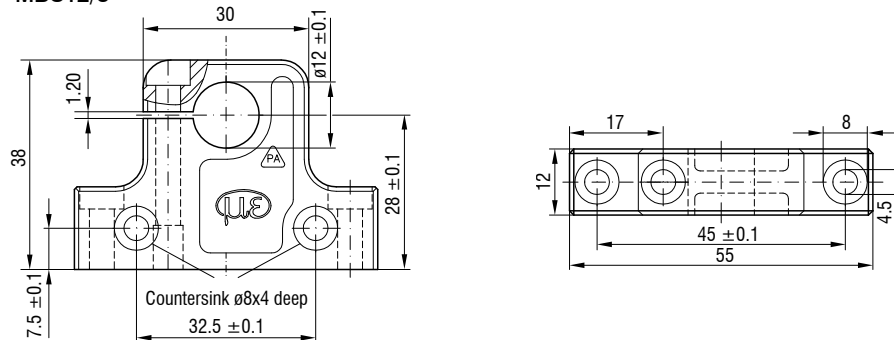
Spare plungers

0800136	LDR-10	Spare plunger
0800137	LDR-25	Spare plunger
0800138	LDR-50	Spare plunger

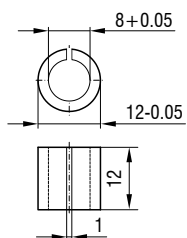
Connector assembly

MBS12/8 Mounting block	Sensor installation for circumferential clamping
MBS12/8 Adapter ring	for reduction to D8 (gauge / LDR)

Mounting block MBS12/8



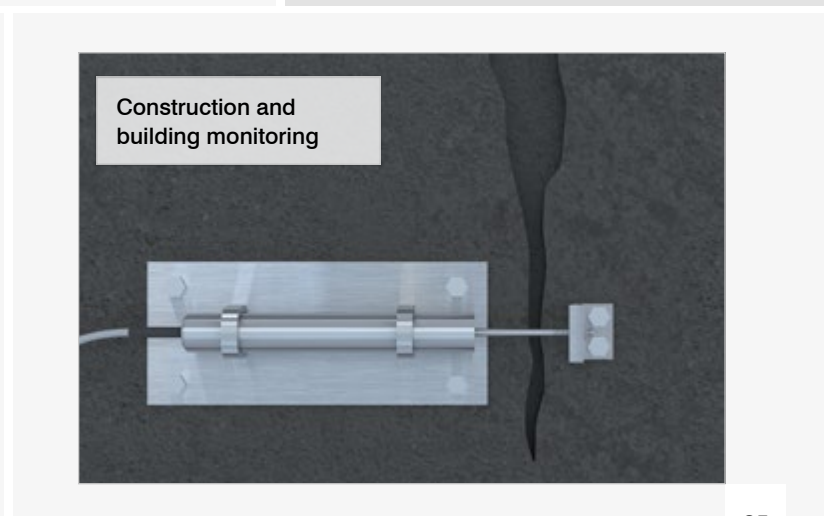
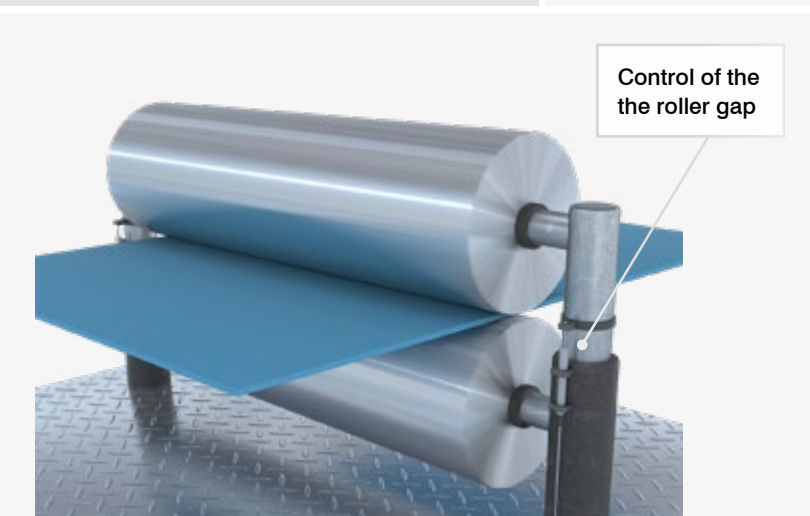
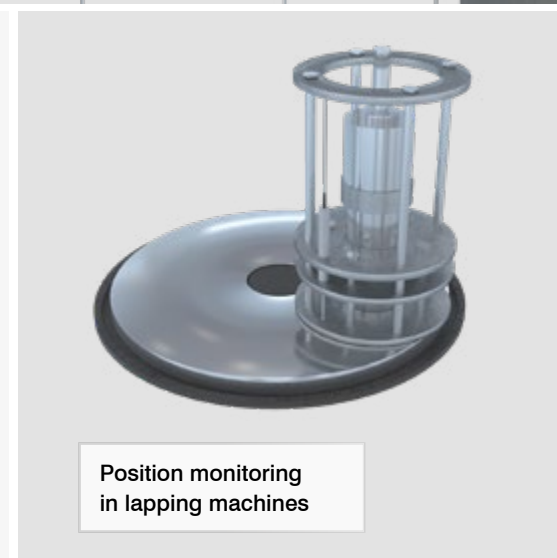
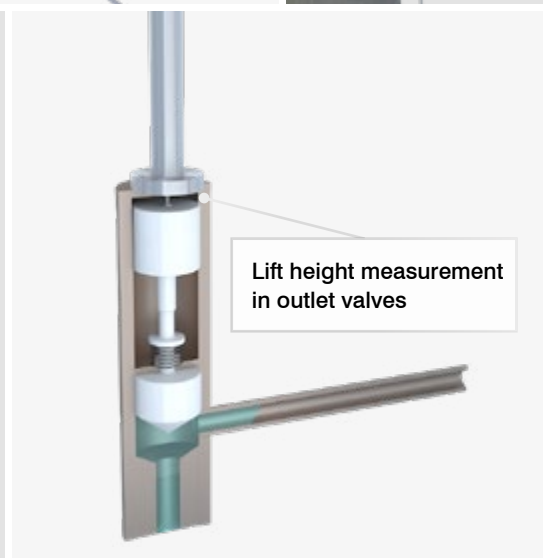
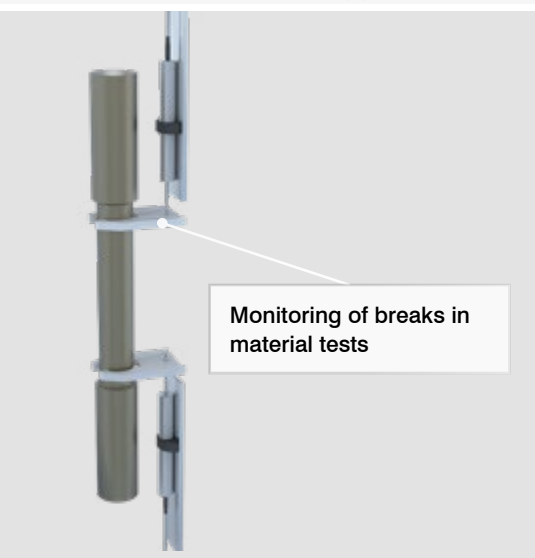
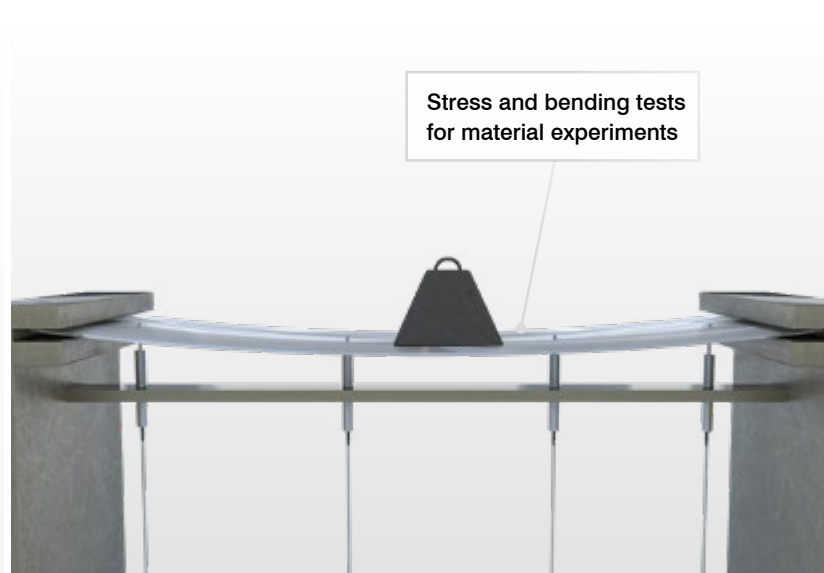
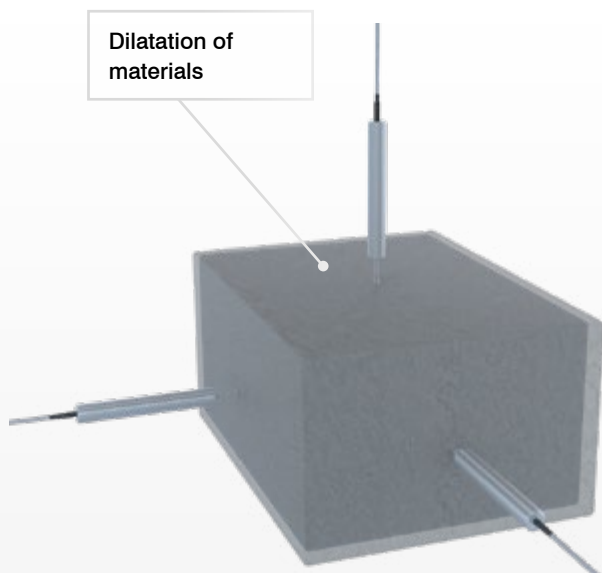
Adapter ring



Applications

induSENSOR DTA/LDR

The DTA / LDR displacement sensors are suitable for numerous measurement tasks which require robust designs and high signal stability. Due to their wear-free design, the DTA / LDR sensors impress with longevity and long-term stability.



Accessories and connection possibilities

induSENSOR MSC

Accessories for MSC7401 / MSC7602 / MSC7802

Connection cables

PC7400-6/4	Supply and output cable, 6 m
PC5/5-IWT	Supply and output cable, 5 m (only MSC7401 / MSC7802)
IF7001	Single-channel USB/RS485 converter for MSC7xxx
MSC7602 connector kit	



MSC7602 connector kit

Service

Connection, adjustment and calibration including manufacturer certificate

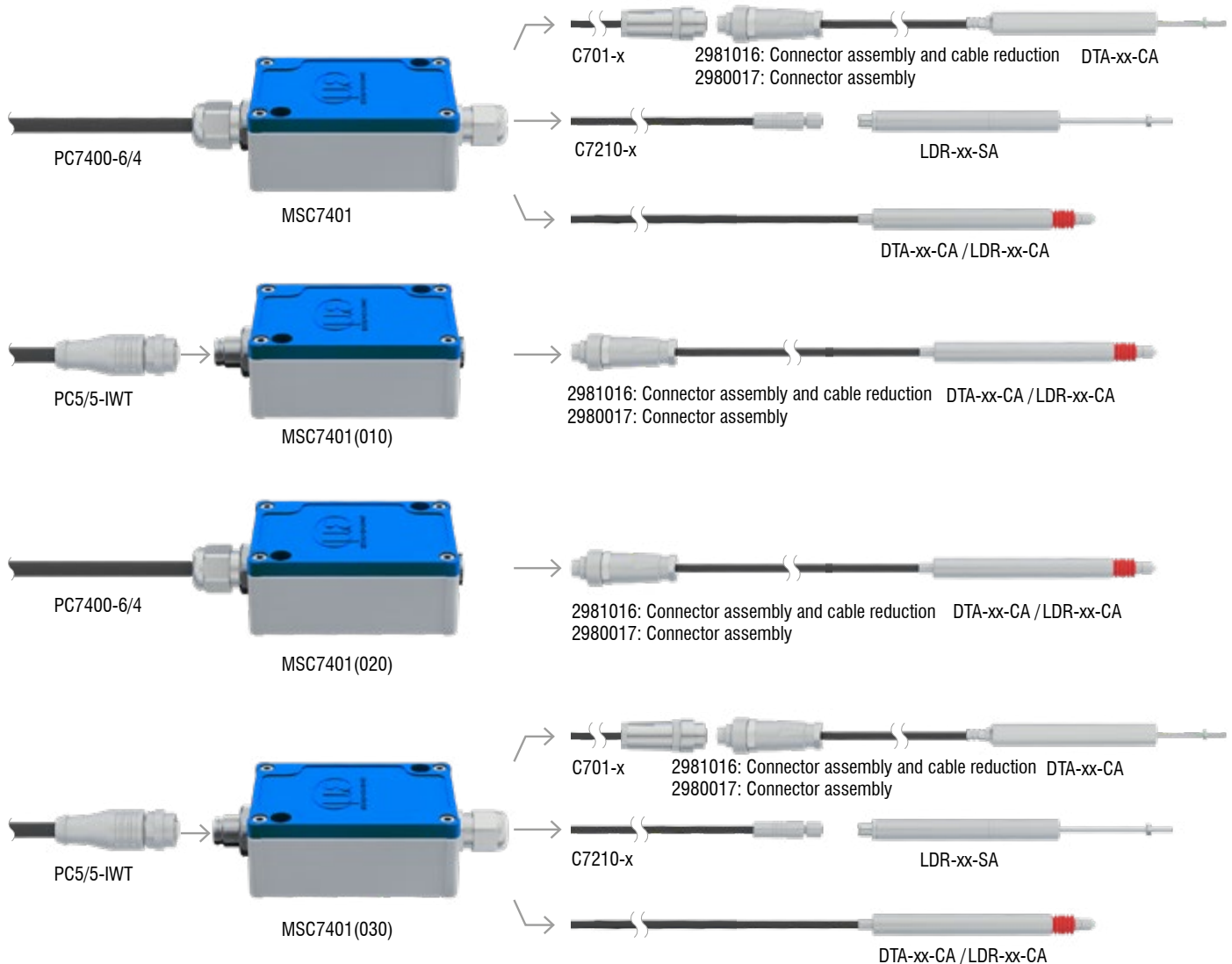
Interface modules

IF2035-EIP	DIN rail interface module for Ethernet/IP (multi-channel)
IF2035-PROFINET	DIN rail interface module for PROFINET (multi-channel)
IF2035-EtherCAT	DIN rail interface module for EtherCAT (multi-channel)
IF1032/ETH	Interface module for Ethernet/EtherCAT (single channel) (only MSC7401 / MSC7802)

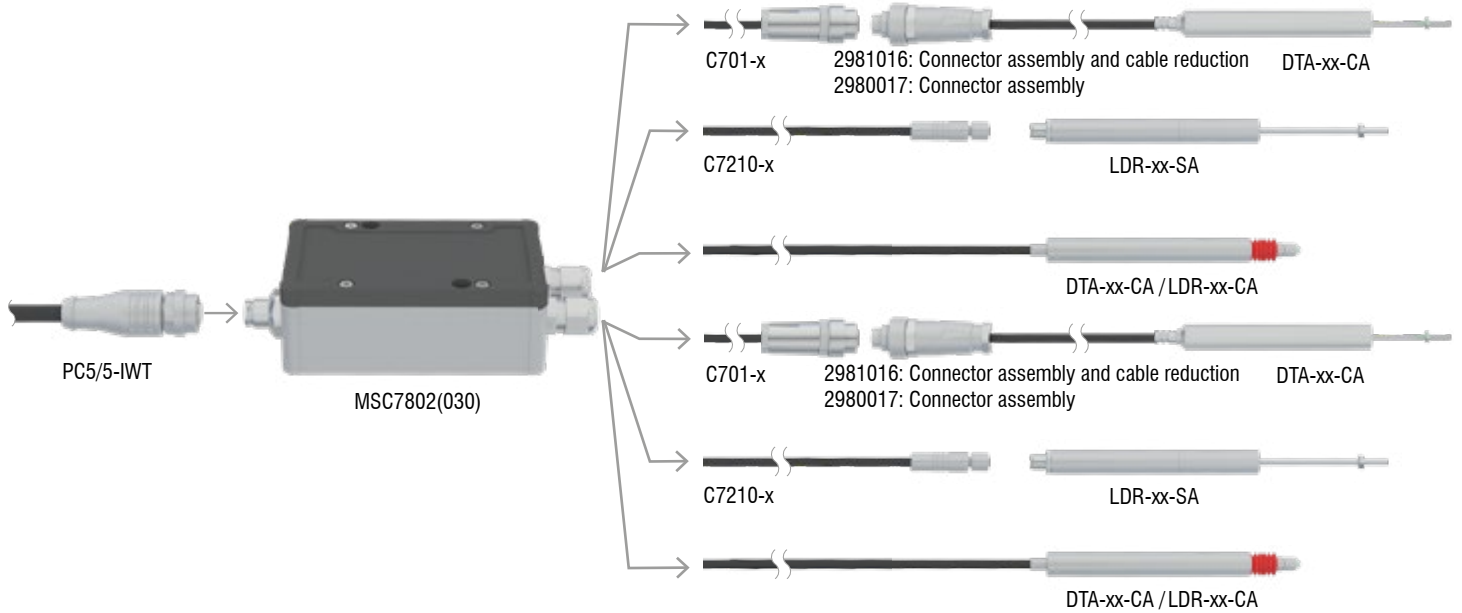
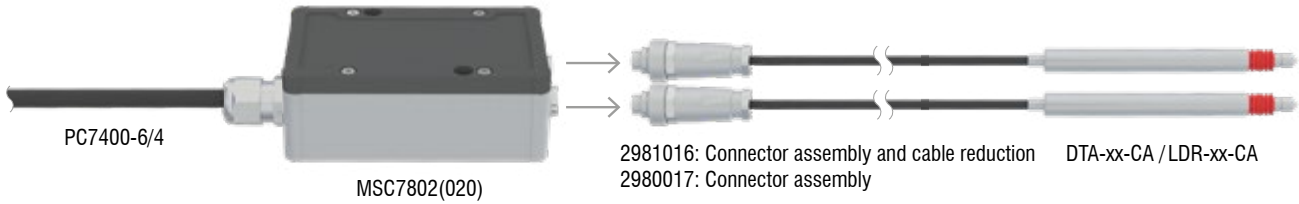
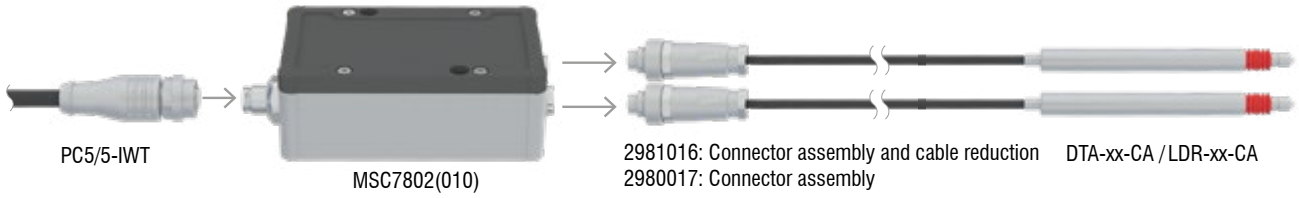
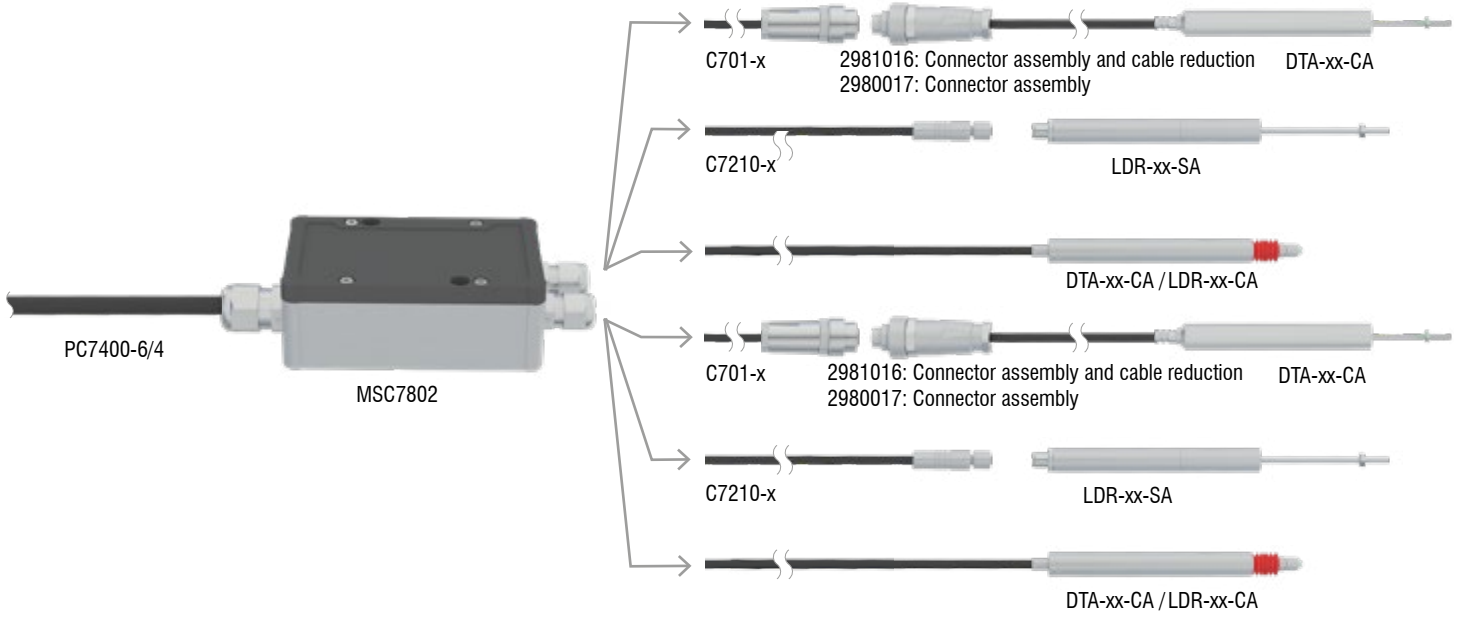
Power supply units

PS2401/100-240/24V/1A	Universal power supply unit with open ends
-----------------------	--

Connection options MSC7401



Connection options MSC7802



Technology and measuring principle

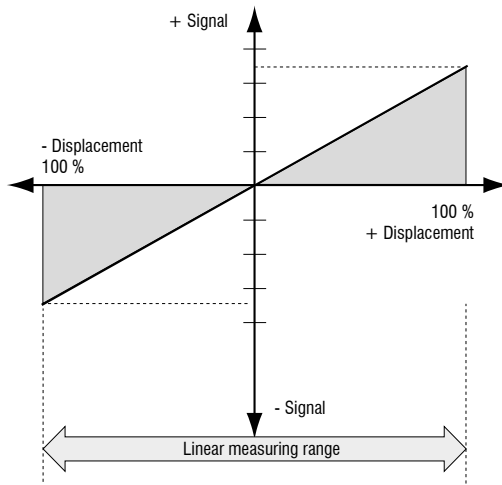
induSENSOR

LVDT Gauges and LVDT displacement sensors (DTA series)

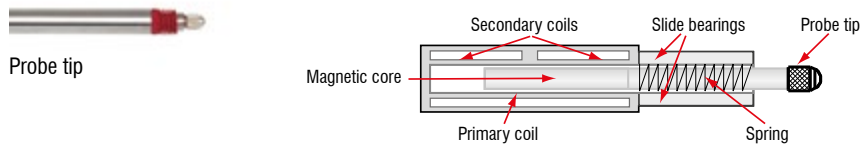
LVDT displacement sensors and gauges (Linear Variable Differential Transformer) are constructed with a primary and two secondary coils, which are arranged symmetrically to the primary winding. As a measuring object, a rod shaped soft-magnetic core can be moved within the differential transformer. An electronic oscillator supplies the primary coil with an alternating current of constant frequency. The excitation is an alternating voltage with an amplitude of a few volts and a frequency between 1 and 10 kHz.

Depending on the core position, alternating voltages are induced in the two secondary windings. If the core is located in its "zero position", the coupling of the primary to both secondary coils is equally large. Movement of the core within the magnetic field of the coil causes a higher voltage in one secondary coil and a lower voltage in the second coil. The difference between the two secondary voltages is proportional to the core displacement. Due to the differential design of the sensor, the LVDT series has an output signal which is very stable.

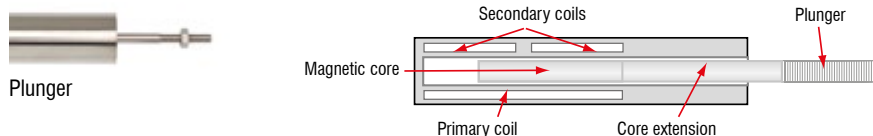
Signal LVDT sensor



Measuring principle gauging sensor



Measuring principle displacement sensor

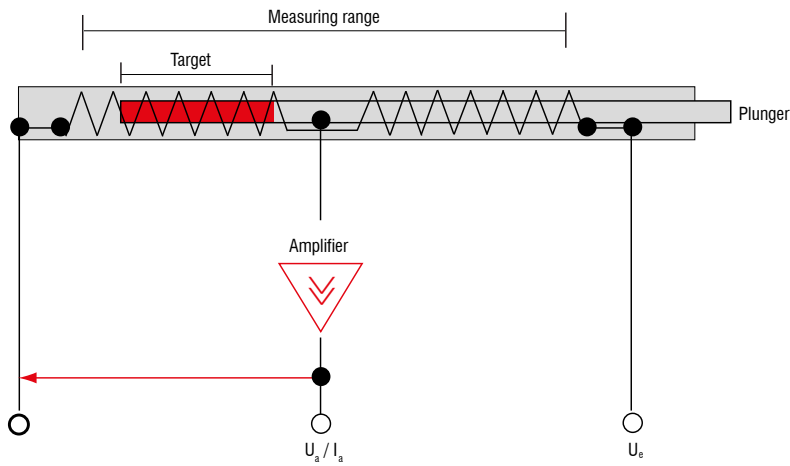


LDR Displacement sensors

The inductive sensors in the LDR series are constructed as half-bridge systems with center tap. An unguided plunger moves in the interior of the sensor coil, which consists of symmetrically constructed winding compartments. The plunger is joined to the moving measuring object via a thread.

Due to the movement of the plunger within the coil, an electrical signal is produced which is proportional to the displacement covered. The specific sensor configuration facilitates a short, compact design with a small diameter. Three connections are required as an interface to the sensor.

Block diagram LDR series



Technology and measuring principle

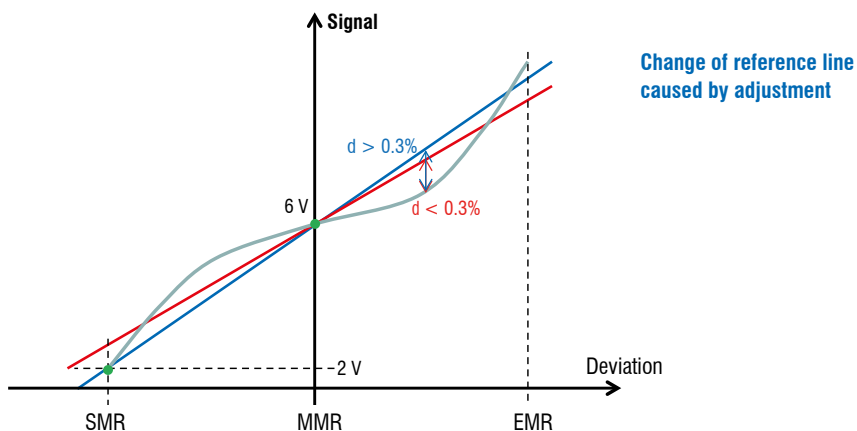
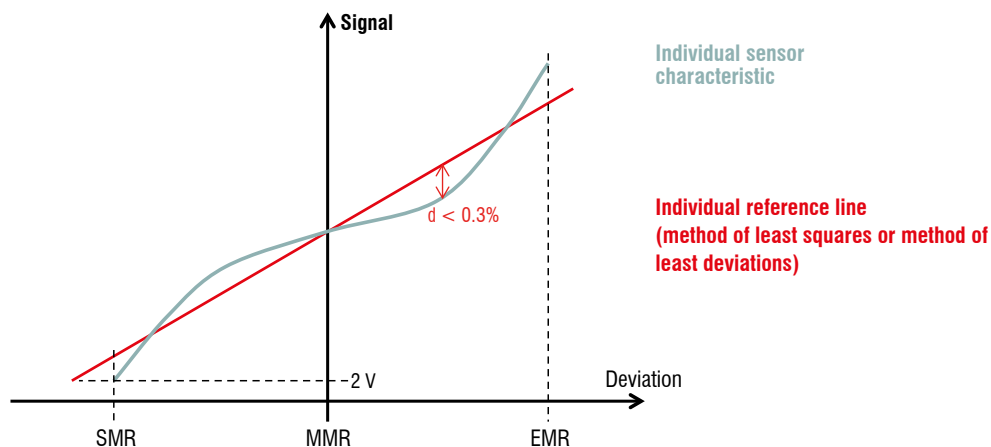
induSENSOR

Independent and absolute linearity of LVDT sensors

Please consider that with LVDT sensors, two kinds of linearity must be distinguished:

With the independent linearity, an individual linearity characteristic is determined for the recorded sensor signal of each sensor. It describes the deviation of the recorded sensor signal from the individually calculated reference line (red, see figure). The maximum deviation (d) must not exceed the values specified in the datasheet.

With the absolute linearity, a new straight line is laid through two fixed points during the adjustment which may cause the gradient of the reference line to change. Therefore, the recorded values of the sensor signal may deviate more from the new line (blue) than is the case with the independent linearity (see figure), and also exceed the values specified in the datasheet.



Sensors and Systems from Micro-Epsilon



Sensors and systems for displacement, distance and position



Sensors and measurement devices for non-contact temperature measurement



Measuring and inspection systems for metal strips, plastics and rubber



Optical micrometers and fiber optics, measuring and test amplifiers



Color recognition sensors, LED analyzers and inline color spectrometers



3D measurement technology for dimensional testing and surface inspection