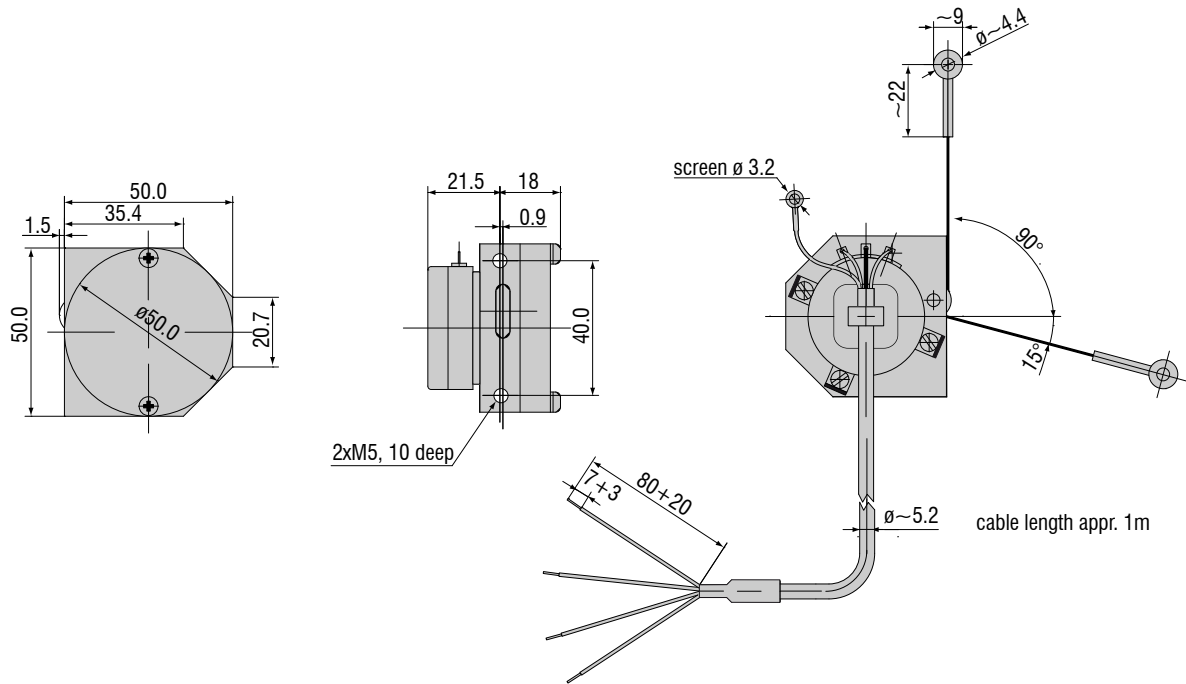


# More Precision



## WDS-70-F50-CR-P5k



Modell	WDS-70-F50-CR-P5k	
Output	P (voltage divider, max. powersupply 42VDC)	
Measuring range	70mm*	
Linearity	±0,1 % FSO, 0.15mm	
Resolution	quasi infinite	
Sensor element	conductive plastic potentiometer	
Temperature range	-40 ... +100°C	
Material	housing	aluminum
	draw wire	coated polyamid stainless steel (ø 0.45mm)
Sensor mounting	inside thread M5	
Wire mounting	eyelet	
Wire acceleration	appr. 10g (dependent upon measuring range)	
Wire extension force (max)	appr. 5.5N	
Electrical connection	integral cable, 1m long	
Weight	160g (without cable)	

FSO = Full Scale Output

\* wire extraction 150 mm, the position of the 70mm measuring range can be selected within the extraction length by turning the potentiometre.

## Micro-Epsilon

info@micro-epsilon.com  
www.micro-epsilon.com

info@micro-epsilon.co.uk  
www.micro-epsilon.co.uk

info@micro-epsilon.us  
www.micro-epsilon.us

certified DIN EN ISO 9001 : 2000  
modifications reserved / Y9761253-A020118JKR

