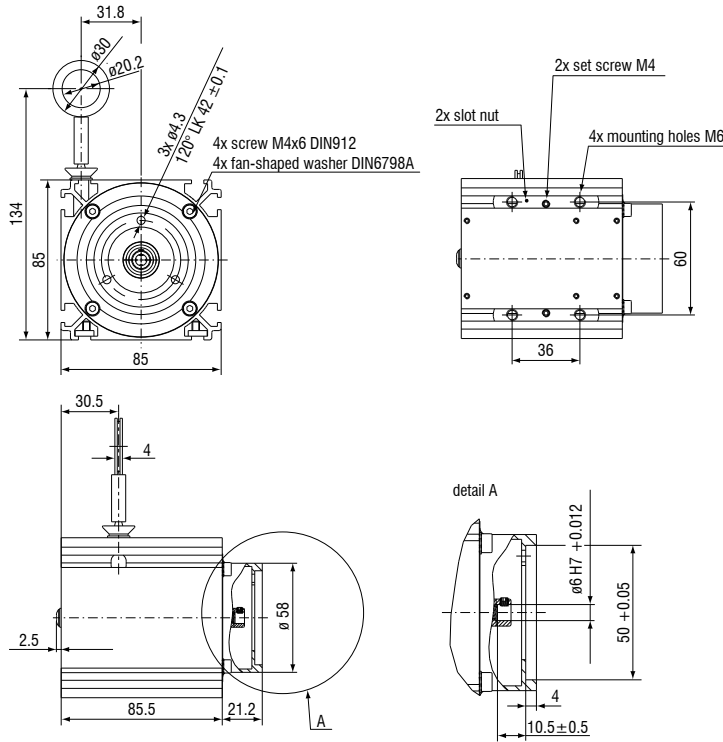


More Precision



wireSENSOR WDS-3000-P85-M-PW



Dimensions in mm, not to scale



Model	WDS-3000-P85-M-PW
Measuring range	3000mm
Distance per revolution	199.2mm
Drum accuracy	±0.04 % FSO
Linearity	± 0.05%
Temperature range	-20 to 80°C
Housing material	anodised aluminium
Draw wire	para-aramid, coated
Wire diameter	1.0mm
Wire mounting	plastic wire eye
Sensor mounting	mounting grooves
Protection class	encoder dependent
Wire retraction force (min)	6N
Wire extension force (max)	16N
Wire acceleration	5g
Weight	950g
Shock	50g, 10ms (IEC68-2-27)
Vibration	20g, 20Hz...2kHz (IEC68-2-6)

FSO = Full Scale Output

Micro-Epsilon

info@micro-epsilon.com
www.micro-epsilon.com

info@micro-epsilon.co.uk
www.micro-epsilon.co.uk

me-usa@micro-epsilon.com
www.micro-epsilon.com

certified DIN EN ISO 9001 : 2000
modifications reserved / Y9761383-A021112GKE

