

Outdoor protective housing

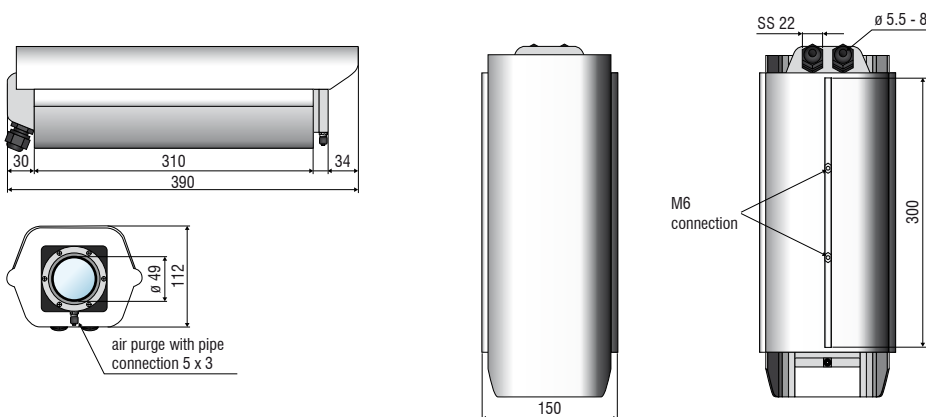
Universal outdoor protection for infrared cameras of the TIM series

Advantages

- Protection class IP66
- Additional air purge collar allows for a continuous operation in dusty and humid conditions
- Heating element and built-in fan enable 24/7 operation from -40°C
- Installation of USB Server Gigabit possible for integration into control systems over large outdoor distances



Model	Outdoor protective housing
Protection class	IP66
Temperature range	-40°C ... +50°C
Heating	PTC heater (automatically starting at T < 15°C) / fan for homogeneous temperature distribution
Voltage	230V AC
Power	40W
Protective window	Germanium window (anti-reflective coating) or film window
Air purge collar	Integrated
Integrable additional components	USB-Server Gigabit / Industrial Process Interface (PIF)
Max. FOV	90° (HFOV)



Micro-Epsilon