



More Precision

scanCONTROL 30xx // Laser scanner with highest precision



2D/3D laser scanner with highest precision

scanCONTROL 30xx



- Profile frequency up to 10 kHz for monitoring of dynamic processes
- High resolution in x- and z-axis
- Comprehensive software included
- Numerous interfaces and possibilities for process integration
- Innovative exposure control
- Also available with blue laser

Fast and precise 2D/3D profile measurements

scanCONTROL laser scanners are among the highest performing laser profile sensors in the world in terms of their size, accuracy and measuring rate. The latest LLT30xx laser profile scanners provide calibrated 2D profile data with up to 5.5 million points per second. Enabling profile frequency of 10 kHz, the HIGHSPEED modes are used for monitoring tasks in dynamic processes. The high-resolution sensor matrix with 2,048 points achieves a point distance of just 12 μm (LLT30xx-25).

The scanCONTROL 30xx/BL laser profile scanners are equipped with a blue-violet laser diode. Particularly with semi-transparent measurement objects, the blue laser offers high signal stability.

The easy way of machine integration

The design of the LLT30xx/BL series is compact and lightweight. The controller is integrated in the sensor itself, which simplifies mechanical integration. Numerous interfaces such as digital switch signals, Ethernet, PROFINET, EtherNet/IP or EtherCAT allow for measured data to be output directly.

Innovative exposure control to master difficult surfaces

On inhomogeneous or dark surfaces, the HDR (High Dynamic Range) data acquisition mode and the improved auto exposure optimizes the measurement results. In HDR mode, the rows of the sensor matrix are exposed differently but at the same time which avoids time offsets between the recordings. This is how moving objects can be detected reliably. The auto exposure feature enables to individually select the areas to be exposed.

Top performances with selectable operating modes

Choose from three predefined operating modes for your specific measurement task: "High-Resolution" for maximum precision, "High Dynamic Range" for optimal profile detection on difficult surfaces and "High Speed" for ultra-fast measurements.



Model		LLT30xx-25	LLT30xx-25/BL	LLT 30xx-50	LLT 30xx-50/BL
Z-axis	Measuring range (standard)	Start of measuring range	77.5 mm		105 mm
		Mid of measuring range	85 mm		125 mm
		End of measuring range	92.5 mm		145 mm
		Height of measuring range	15 mm		40 mm
	Linearity ¹⁾ (2 sigma)	± 0.08 % FSO	± 0.06 % FSO	± 0.08 % FSO	± 0.06 % FSO
Reference resolution ^{2) 3)}		1.5 µm		3 µm	
X-axis	Measuring range (standard)	Start of measuring range	22.9 mm		43 mm
		Mid of measuring range	25 mm		50 mm
		End of measuring range	26.8 mm		55.9 mm
Resolution (x-axis)		2,048 points/profile			
Profile frequency	COMPACT / SMART	up to 300 Hz			
	HIGHSPEED	up to 10,000 Hz			
Interfaces	Ethernet GigE Vison	Output of measurement values Sensor control Profile data transmission			
	Digital inputs	Mode switching Encoder (counter) Trigger			
	RS422 (half-duplex) ⁴⁾	Output of measurement values Sensor control Trigger Synchronization			
Output of measurement values		Ethernet (UDP / Modbus TCP); RS422 (ASCII / Modbus RTU) analog ⁵⁾ ; switch signal ⁵⁾ PROFINET ⁶⁾ ; EtherCAT ⁶⁾ ; EtherNet/IP ⁶⁾			
Display (LED)		1 x laser ON/OFF, 1 x data, 1 x error			
Light source		semiconductor laser 658 nm (red)	semiconductor laser 405 nm (blue)	semiconductor laser 658 nm (red)	semiconductor laser 405 nm (blue)
Aperture angle of laser line		23°		28°	
Laser power	(standard)	≤ 10 mW (laser class 2M)			
	optional	≤ 30 mW (laser class 3R)	-	≤ 30 mW (laser class 3R)	-
Laser switch-off		via software, hardware switch-off with /SI option			
Permissible ambient light (fluorescent light) ²⁾		10,000 lx			
Protection class (sensor)		IP67 (when connected)			
EMC requirements		according to DIN EN 61000-6-2: 2005, DIN EN61000-6-3: 2007, DIN EN61326-1:2013 and DIN EN50581:2012			
Vibration		2 g / 20 ... 500 Hz			
Shock		15 g / 6 ms			
Operating temperature		0 ... +45 °C			
Storage temperature		-20 ... +70 °C			
Dimensions		96 x 112 x 40 mm			
Sensor weight (without cable)		415 g			
Power supply		11 ... 30 VDC, nominal value 24 V, 500 mA, IEE 802.3af class 2, Power over Ethernet			

FSO = Full Scale Output

¹⁾ Measuring range (standard)

²⁾ Measurement object: Micro-Epsilon standard object

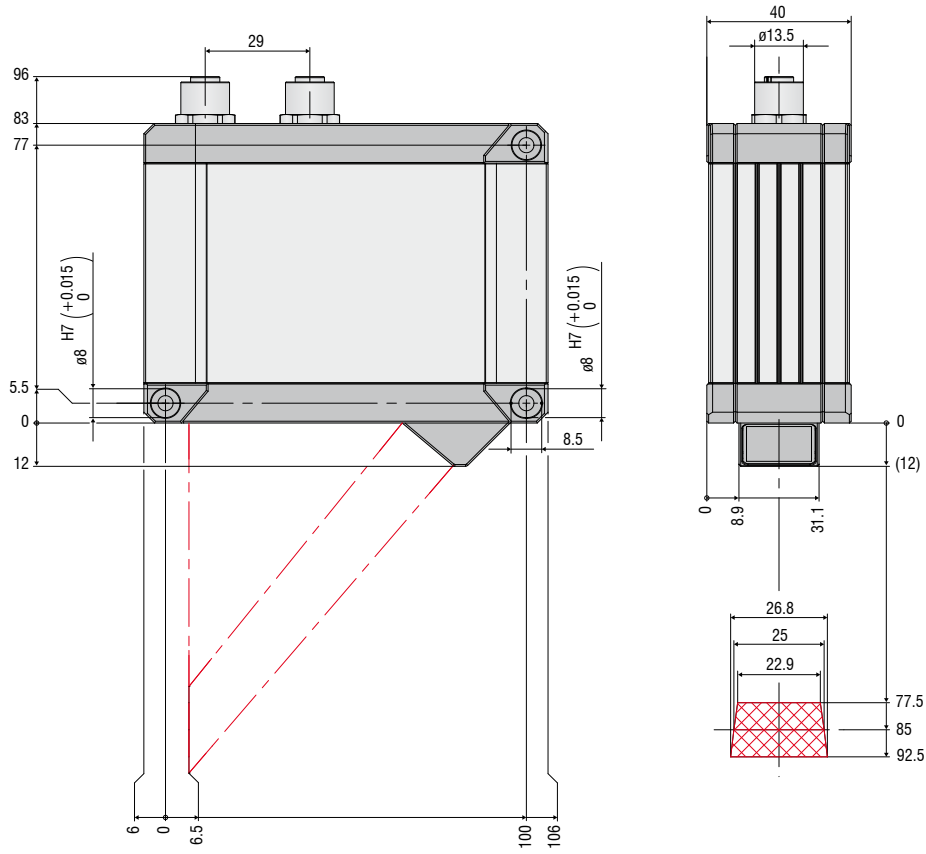
³⁾ According to a one-time averaging across the measuring field (2,048 points)

⁴⁾ RS422 interface, programmable either as serial interface or as input for triggering/synchronization

⁵⁾ Only with Output Unit

⁶⁾ Only with scanCONTROL Gateway

LLT30xx-25
LLT30xx-25/BL



LLT 30xx-50
LLT 30xx-50/BL

