



More Precision

opto**CONTROL** EDU190 // Digital display for optical micrometers





- Complete software setup for Plug and Play
- Additional features with circumference calculation
- Color visualization of measured values for fast evaluation of results
- Connection via serial interface or Ethernet
- Robust aluminum housing provides ease of use via touchscreen

Visualizing and evaluating the measurement value

The optoCONTROL EDU190 digital display enables measurements to be performed on semi-automated workstations quickly and easily, while visualizing and evaluating the measured value without requiring any additional end devices. The display is compatible with all optical micrometers from Micro-Epsilon that have a digital interface. The sensors can be connected either serially (RS232, RS422) or via Ethernet.

Compatible optical micrometers:

- optoCONTROL 1202
- optoCONTROL 1220
- optoCONTROL 2500
- optoCONTROL 2520
- optoCONTROL 2600

This display is versatile in its potential applications. Whether for fixed workstations in order to perform random checks and inspecting low volume production, or inline applications for measurement display during high volume production. A robust aluminum housing with IP65/IP66 protection, certified resistance against shocks and vibration, and a temperature range from -10 °C to +60 °C make the display ideal for ambient conditions in industrial environments.

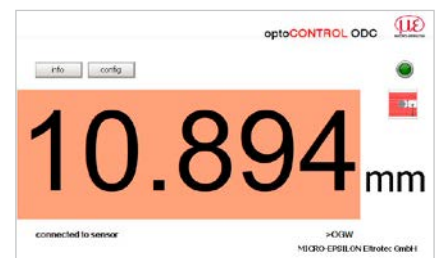
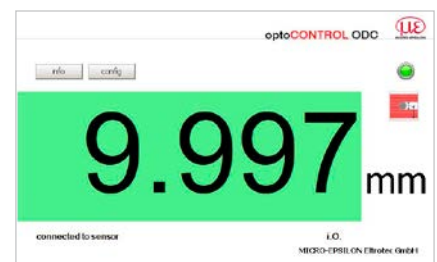
Pre-installed software

The system automatically recognizes connected sensors. The display software can be set in German or English and has several buttons for the visualization, configuration and retrieval of sensor data.

Functions:

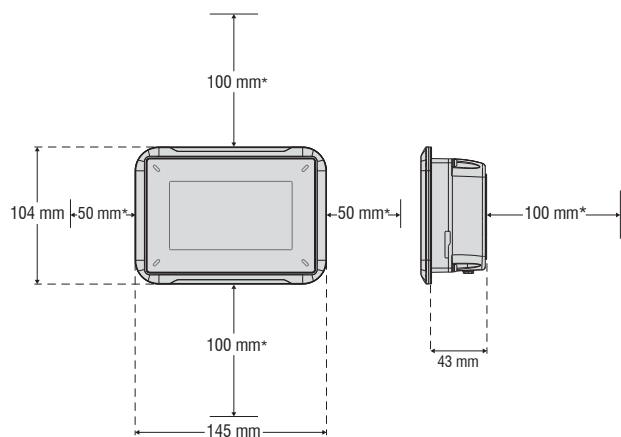
- Display of measured values and programs used
- Using the additional function for circumference calculation
- Defining limit and master values
- Monitoring the connection status

Depending on the sensor, a large number of additional settings such as filters, measuring programs and calculation functions can be set via the sensor's web interface and visualized on the display.

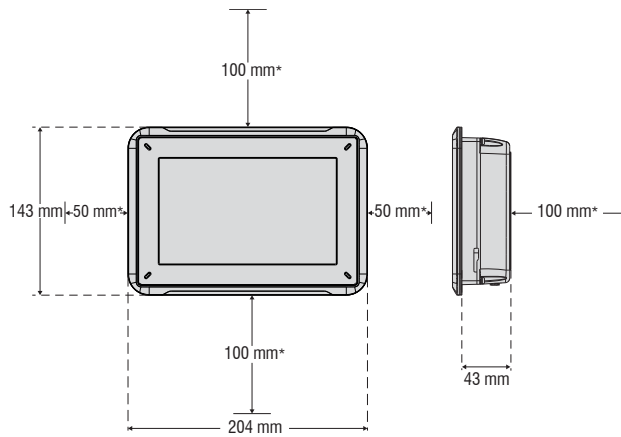


Model	EDU190-4 Pro	EDU190-7 Pro
Article number	2966045	2966032
Display size (diagonal)	4.3 inches	7 inches
Resolution	480 x 272 pixels	800 x 480 pixels
Service life (backlight)	50,000 operating hours	20,000 operating hours
Display type	TFT-LCD	
System	1.0 GHz processor with 512 MB RAM	
Number of digits	max. 5 digits	
Baud rate	115.2 kBd	
Screen operation	resistive (touch)	
Display	1 x multicolor LED display	
Serial interface	RS232 or RS422	
Digital interface	Ethernet (RJ45 socket)	
Supply voltage	18 ... 32 VDC	
Power consumption	12 W (24 V)	14.4 W (24 V)
Humidity	5 ... 85 % (non-condensing)	
Temperature range	Storage	-20 °C ... +70 °C
	Operation	-10 °C ... +60 °C
Protection class	Front	IP66
	Rear	IP20
Shock	15 g, semi-sinusoidal, 11 ms (IEC60068-2-27)	
Vibration	1 g (IEC60068-2-6)	
Certifications	CE, UL 61010-2-201	
Weight	approx. 0.5 kg	approx. 0.8 kg
Material	Display	polyester on glass, ITO film
	Housing (rear)	powder-coated aluminum
	Frame material	Autoflex EBA 180L
Installation	front panel installation	
Cut-out dimensions	130 x 89 mm	189 x 128 mm

EDU190-4 Pro

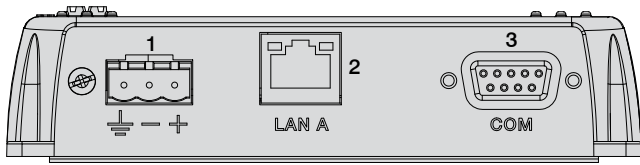


EDU190-7 Pro



*The specified values indicate the space required for installing the control panel.

Connections



Item	Connection	Description
1	Power supply	+24 V DC (18 ... 32 V DC)
2	LAN A	1 x 10/100 Base-T (RJ-45 shielded)
3	COM	Serial communication port

Please refer to the operating instructions for details on the pin assignment.

Accessories

Accessories for display connection with an ODC1202/ODC1220

Art. No.	Model	Description
2901371	SCD1202-x-RS232	Digital output cable, for connection via RS232
29011209	PC190-2	Supply cable for digital display EDU190-x, 2 m long

Accessories for display connection with an ODC2500/ODC2600

Art. No.	Model	Description
29011211	SCD2500-3/EDU190/RS422	Digital output cable, 3 m long, for connection via RS422
29011208	SCD2500-3/EDU190/RS232	Digital output cable, 3 m long, for connection via RS232
2901121	SCD2500-3-3/RS232	Signal output cable, 3 m long, for connection via RS232 and other signals
29011209	PC190-2	Supply cable for digital display EDU190-x, 2 m long

Accessories for display connection with an ODC2520

Art. No.	Model	Description
29011014	PC/SC2520-3/IF2008	Interface and supply cable with IF2008-compatible RS422 interface
29011205	PC/SC190-3	Supply and interface cable RS422; 3 m long (imperative for power supply of the sensor and the digital display)
2901925	SCD2520-3	Digital output cable, 3 m long, Ethernet connection
29011209	PC190-2	Supply cable for digital display EDU190-x, 2 m long