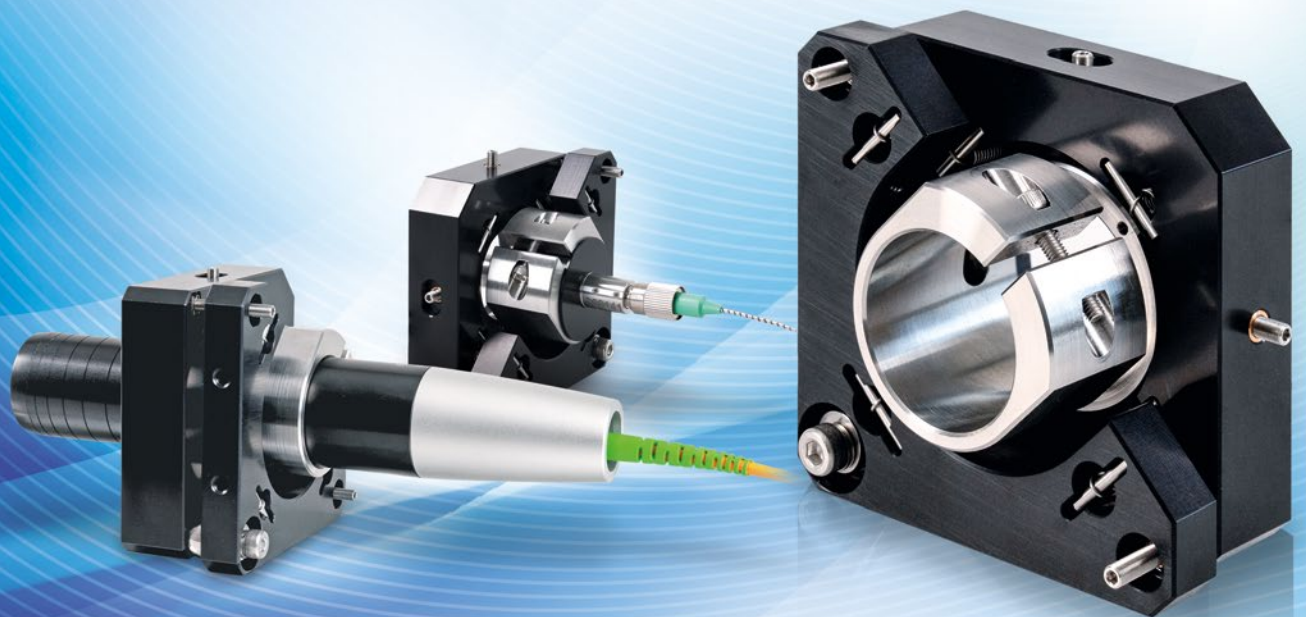




More Precision

Adjustable mounting adapter for confocalDT / interferoMETER sensors



Adjustable mounting adapter



Optimal sensor alignment for best possible measurement results

Manual adjustment mechanism for easy and fast adjustment

High resistance to shocks and vibrations allows integration into machines

Compatible with numerous confocalDT and interferoMETER sensor models

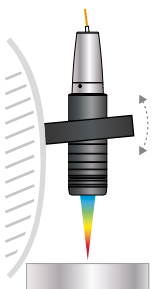
The adjustable JMA mounting adapters significantly simplify the alignment of confocal and interferometric sensors. Particularly for high resolution sensors with a small tilt angle, perpendicular installation is required. The JMA adapter enables easy and fast sensor integration into the machine while the fine adjustment takes place directly on site. This corrects, e.g. minor deviations caused by mounting and compensates for tilted measuring objects.

With two-sided thickness measurements, the adjustable mounting adapter supports the alignment of the measuring points to one another. This means that the measuring points can be arranged absolutely congruent to each other so that the sensors are positioned exactly on an optical axis. This avoids shifted measurements in order to achieve reliable measurements with the highest precision.

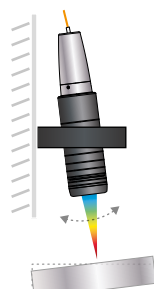
Application examples:

Alignment

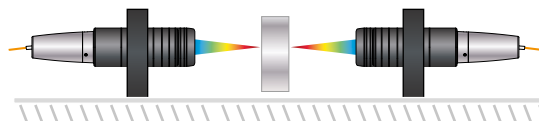
Subsequent correction of the mounting position



Compensates for incorrect target position

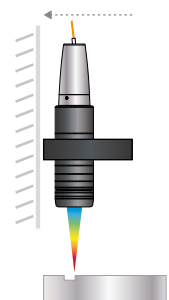


Two-sided thickness measurements



Positioning

Shifting the sensor to target area

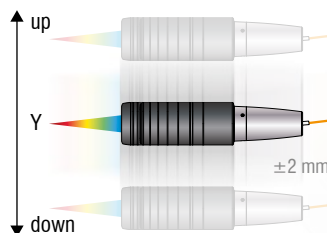


Model		JMA-08	JMA-10	JMA-12	JMA-20	JMA-27
Tilting range	X	±4° (continuously adjustable)				
	Y	±4° (continuously adjustable)				
Shifting range	X	±2 mm (continuously adjustable)				
	Y	±2 mm (continuously adjustable)				
Shock (DIN EN 60068-2-27)		15 g / 6 ms in XYZ axis, 1000 shocks each				
Vibration (DIN EN 60068-2-6)		2 g / 20 ... 500 Hz in XYZ axis, 10 cycles each				
Adjustment mechanism		Screw setting mechanism via M3x0.25 screw with hexagon socket 1.5				
Mounting		2x 2 mounting holes for M4x1				
Sensor mounting		Radial clamping for ø 8 mm	Radial clamping for ø 10 mm	Radial clamping for ø 12 mm	Radial clamping for ø 20 mm	Radial clamping for ø 27 mm
Compatibility		confocalDT: IFS2403 series	interferoMETER: IMP-DS19 IMP-TH45	confocalDT: IFS2404-2 IFS2407-0,1 IFS2407-0,8	confocalDT: IFS2406-2,5/VAC interferoMETER: IMP-TH70	confocalDT: IFS2405-0,3 IFS2405-1 IFS2406-3 IFS2406-10

1 Max. shift in X ±2 mm



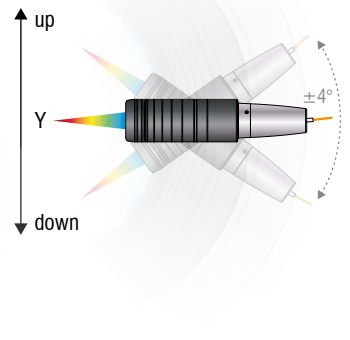
2 Max. shift in Y ±2 mm



3 Max. tilt angle in X ±4°



4 Max. tilt angle in Y ±4°



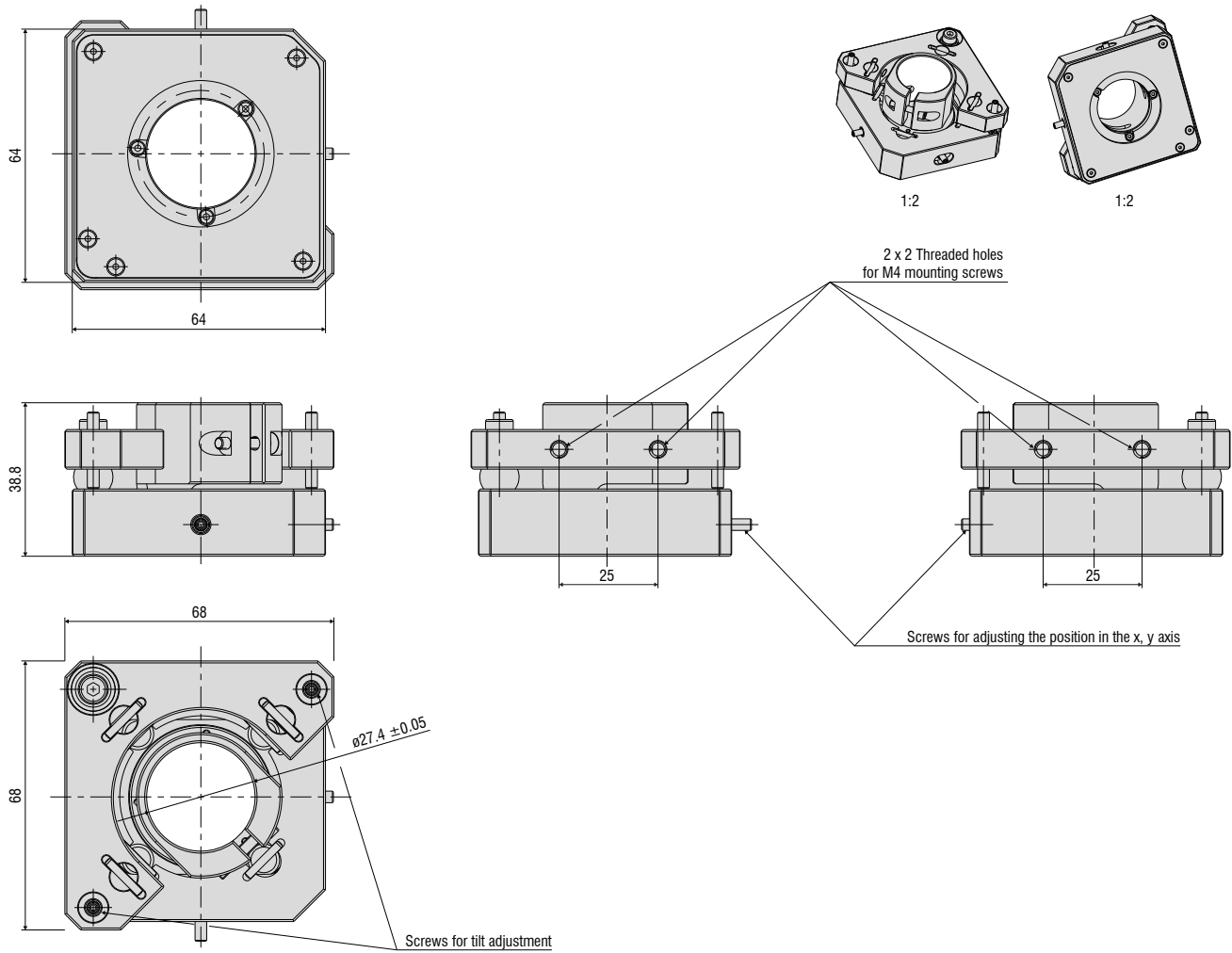
Scope of supply

- Adjustable mounting adapter
- Sensor holder for smaller diameters (not with JMA-27)
- Screwdriver for positioning
- Assembly instructions

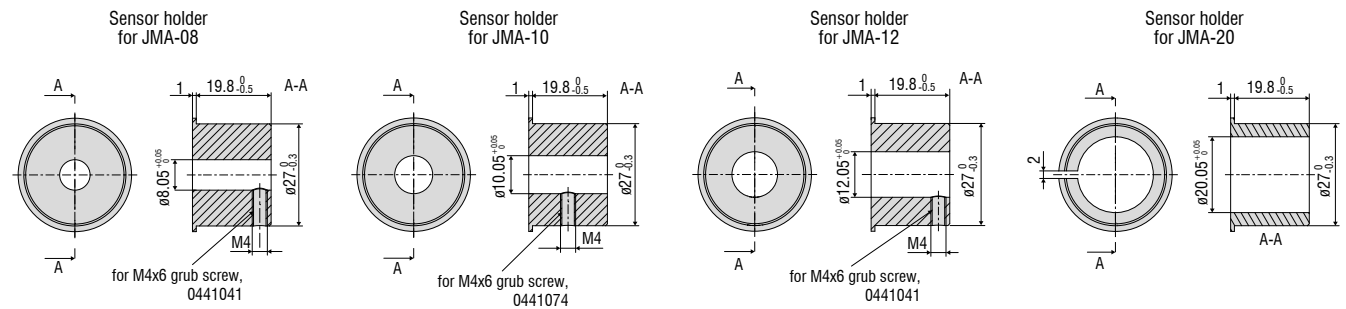


Dimensions

Adjustable mounting adapter



Sensor holder for smaller diameters



Dimensions in mm, not to scale