



# More Precision

IF2030 // Interface module for Industrial Ethernet connection



**PROFI**<sup>®</sup>  
**NET** EtherNet/IP<sup>®</sup>

Interface module for connection of  
Micro-Epsilon sensors to Industrial Ethernet

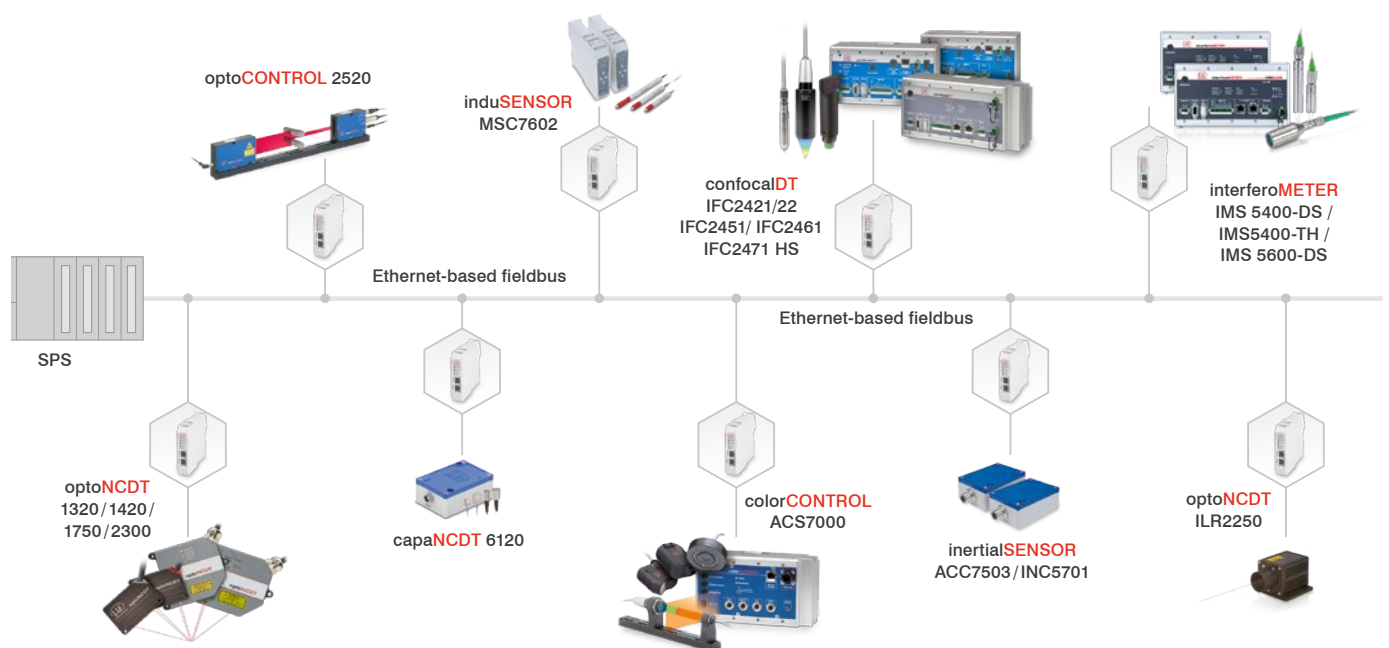
IF2030



- Available for PROFINET and EtherNet/IP
- 1-channel system
- Compatible with Micro-Epsilon sensors with RS422 and RS485 interfaces
- Synchronization output for RS422 sensors
- LED status display
- DIN rail housing

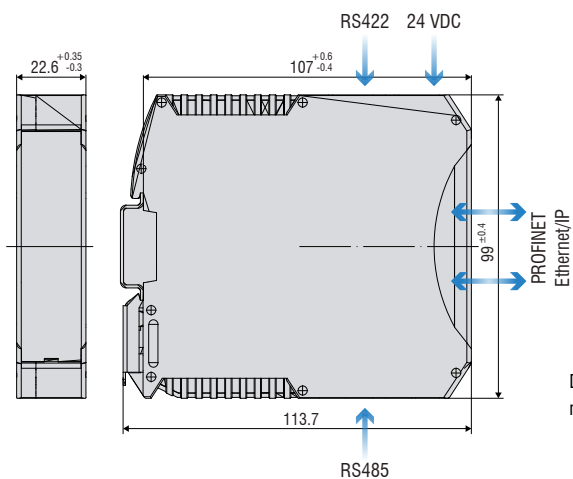
The IF2030 interface modules are designed for easy connection of Micro-Epsilon sensors to Ethernet-based fieldbuses (e.g., plant control systems). The PROFINET and EtherNet/IP modules are compatible with sensors that output data via an RS422 or RS485 interface. These modules operate on the sensor side with up to 4 MBd and have two network connections for different network topologies. Installation in switching cabinets is via a DIN rail.

The interface modules are compatible with multiple sensors:



Model		IF2030/PNET	IF2030/ENETIP
Speed		PROFINET: 1 ms update time	EtherNet/IP: 1 ms update time
Supply voltage		9 ... 36 VDC	
Power consumption		approx. 2.5 W with 24 VDC (without sensor)	
Digital interfaces		RS422, RS485 (with Micro-Epsilon specific data protocol)	
		Baud rate 9600 Bd ... 4 MBd	
		Profinet (COM0 and COM1)	EtherNet/IP (NS and MS)
Digital output		Synchronization (TTL, HTL) for RS422 sensors	
Connection		2 x RJ45 for fieldbus, 4 screw terminals for sensor connection and power supply	
Installation		DIN rail 35 mm	
Temperature range	Operation	0 ... 50 °C	
	Storage	-20 ... 70 °C	
Humidity		5 % ... 95 % (non-condensing)	
Protection class (DIN-EN 60529)		IP20	
Vibration (DIN-EN 60068-2-6)		2 g, sinusoidal excitation with 50 ... 2000 Hz, 10 cycles, 3 axes	
Shock (DIN-EN 60028-2-27)		5 g, 6 ms, 1000 shocks, 3 axes in 2 directions each	
Compatibility	RS485	inertialSENSOR ACC5703, INC5701	
		capaNCDT 6120	
		induSENSOR MSC7401, MSC7602, MSC7802	
		optoNCDT 1320, 1420, 1750, 2300, 1900	
	RS422	confocalDT 242x, 24x1	
		interferoMETER IMS5400, IMS5600	
		colorCONTROL ACS7000	
		optoCONTROL 2520	
		optoNCDT ILR2250	
Software integration into PLC		GSDML file <sup>1)</sup>	EDS file <sup>1)</sup>
Certification		PNIO V2.33	CT16
Control and Display Elements		4 status LEDs (system, status, COM0, COM1)	4 status-LEDs (system, status, NS, MS)
Weight		120 g	

<sup>1)</sup> Download on the Micro-Epsilon website



EtherNet/IP®

PROFI  
NET®

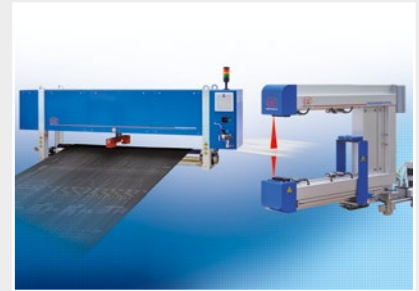
## Sensors and Systems from Micro-Epsilon



Sensors and systems for displacement, distance and position



Sensors and measurement devices for non-contact temperature measurement



Measuring and inspection systems for metal strips, plastics and rubber



Optical micrometers and fiber optics, measuring and test amplifiers



Color recognition sensors, LED analyzers and inline color spectrometers



3D measurement technology for dimensional testing and surface inspection