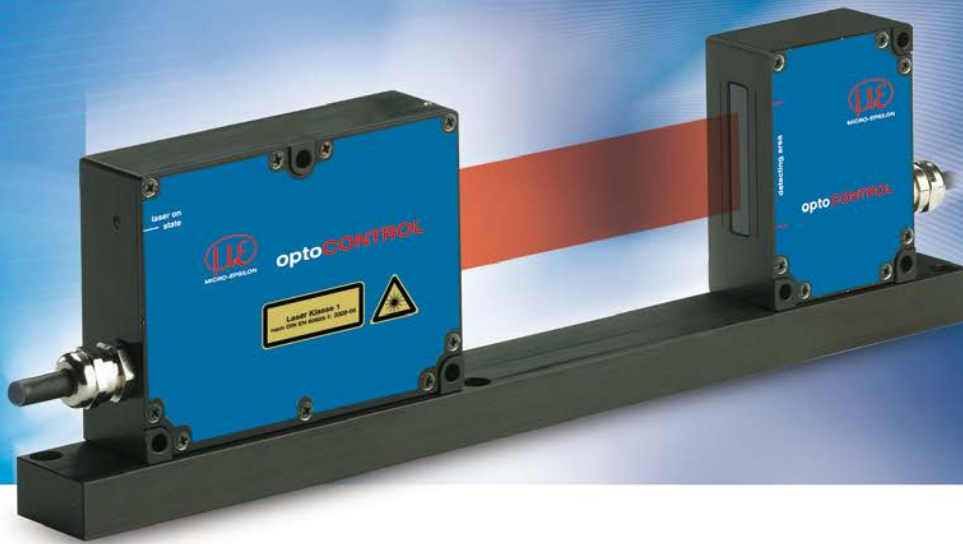




More Precision

optoCONTROL // Optical precision micrometers





	Measuring range 34mm
	Resolution 1µm
	Measuring rate 2.3kHz
	Linearity <math>< 10\mu\text{m}</math>
	Analog output 0 ... 10VDC
	Serial interface RS232/RS422
	Laser class 1

- ▶ High resolution and precision
- ▶ Measuring rate 2.3 kHz for fast processes
- ▶ Laser-ThruBeam technology
- ▶ Six different measuring programs
- ▶ Free parameterisation and data acquisition tool

Measuring principle

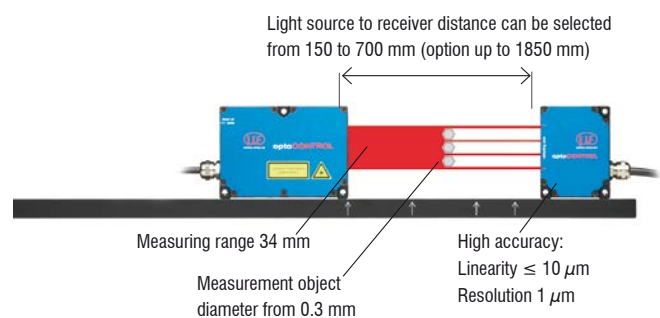
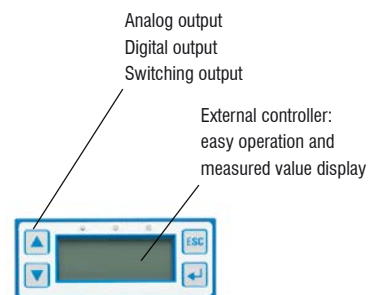
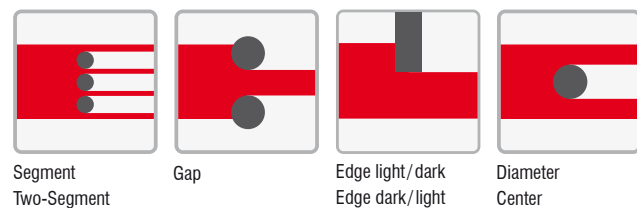
optoCONTROL 2500 is a laser-based measuring system with integrated high resolution CCD camera. The Thru-Beam micrometer measures the dimension of an object or the position of an edge by using the shadow-casting principle. The data obtained with various, selectable measuring programs is output via analog and digital interfaces. Thanks to the high measuring rate, the outstanding accuracy and excellent resolution, the laser micrometer is ideally suited to precision measurement and inspection tasks on moving products in production lines.

System design

optoCONTROL 2500 consists of a sensor unit and a controller. The sensor unit comprises a laser light source (transmitter) and a CCD camera (receiver). A parallel light curtain is produced with the laser light source. The CCD array in the receiver measures the contour formed by shadow casting of the measurement object with high accuracy. The sensor unit is controlled and evaluated by an intelligent controller with graphical display for operation and display of the measured values.

Predefined measurement modes

(six individual programs can be selected)



Model	ODC 2500-35
Measuring range	34 mm
Smallest diameter or gap (detectable target)	typ. ≥ 0.3 mm
Distance light source - receiver	300 mm (150 mm - 700 mm) (Option up to 1850 mm) ¹⁾
Distance (target to receiver)	20 ... 150 mm
Linearity ²⁾	$\leq 10 \mu\text{m}$
Resolution ³⁾	1 μm
Repeatability	$\leq 3 \mu\text{m}$
Measuring rate	2.3 kHz
Light source	Semiconductor laser 670 nm, class 1
Analog output	0 ... 10 V, range -10 ... +10 V
Digital output	RS 232 or RS 422
Switching output	1 x error, 2 x limit, 2 x warning; LC-display, 3 x LED; Sync-Out
Input	Sync-In; zero; Laser On/Off
Shock	acc. IEC 68-2-29
Vibration	acc. IEC 68-2-6
Operation temperature	0 °C ... 50 °C
Storage temperature	-20 °C ... 70 °C
Power supply	24 VDC (± 15 %)
Cable length	2 m (option: extension 3 m / 8 m)
Protection class	receiver / light source IP64 controller IP40
Display	LCD-display (value, maximum, minimum, peak-to-peak) display in mm or inch, selectable; menu languages in german / english, selectable; 3x LED (power on, light on, error)
Measuring programs	diameter, gap, position / edge, segment, two-segment

All specifications are measured at a constant temperature of 20 °C after a warm-up time of 30 minutes.

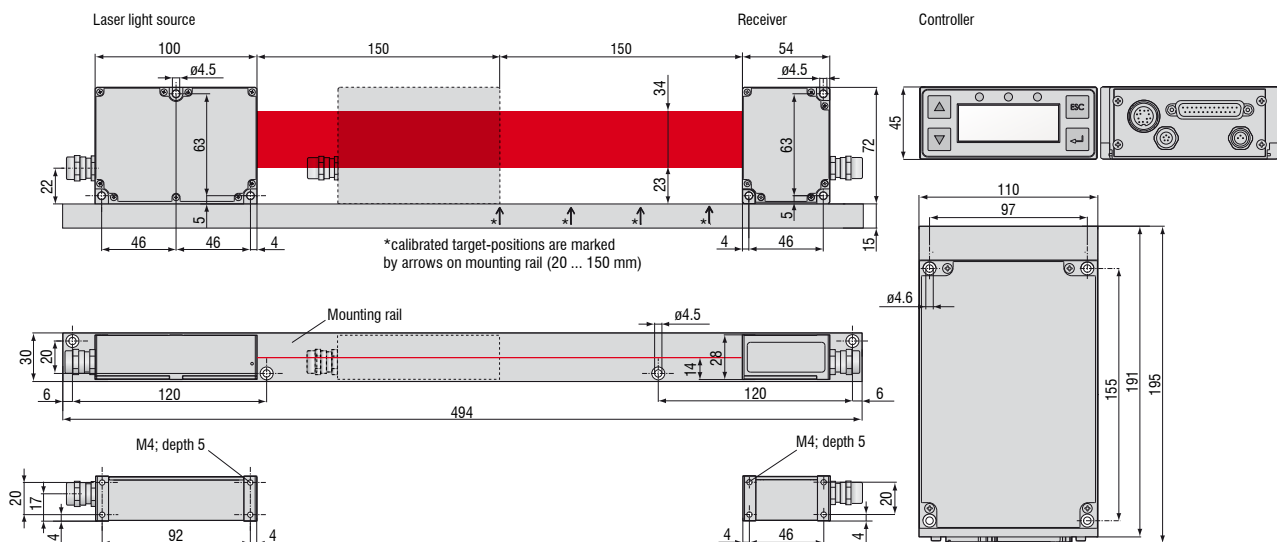
¹⁾ If distances increase, linearity and resolution may decline

²⁾ Valid for distance of the target to receiver $20 \leq 5$ mm; distance light source - CCD-camera 150 mm

³⁾ Display resolution

Customer specific versions

- Carry case version for service tasks
- Customized cable lengths, modified cable outlet
- Version with reduced light source to receiver gap
- Version with deflection mirror for installation in restricted, tight spaces
- OEM measuring programs adaption



IF2008 - PCI interface card

Particular benefits

- 4x digital signals and two encoders with basic printed circuit board
- Additional expansion board for a total of 6x digital signals, 2x encoder and 2x analog signals and 8x I/O Signals
- FIFO data memory
- Synchronous data acquisition



Example: measurement of diameters with two optoCONTROL. The diameter to be measured can be increased using two optoCONTROL. See CSP2008 universal controller.

IF2008E - Expansion board

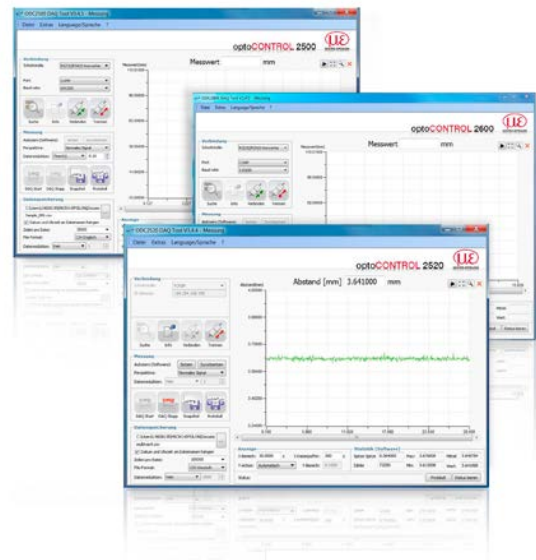
Particular benefits

- Two digital signals, two analog signals and 8 I/O signals
- Overall with IF2008: 6 digital signals, 2 encoders and 2 analog signals and 8 I/O signals
- FIFO data memory
- Synchronous data acquisition



Diverse ODC tools

Depending on the sensor, diverse tools for continuous measurement value recording and parameter set up are available free of charge.

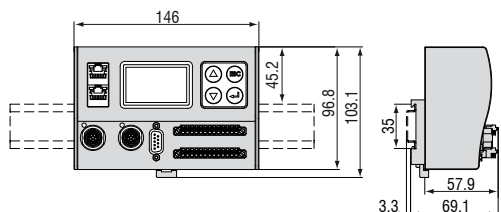


CSP2008 - Universal controller for up to six sensor signals

The controller CSP2008 has been designed to process 2 to 6 both optical and other sensors from Micro-Epsilon (6 digital or 4 analog input signals max., 2x internal + 4x external via EtherCAT modules from the company Beckhoff. EtherCAT is intended as external bus for connecting further sensors and I/O modules. The controller is equipped with a display offering multicolor backlighting which changes its color in the case of exceeding the limit value while a signal is displayed.

Features

- Real-time processing of input and output signals at up to 100kHz (user selectable)
- Unique user interface for the configuration of the controller via Ethernet on a PC or laptop. All user selectable functions of the controller and the measured values can be viewed, displayed and stored in real time via your own web browser without installing any 3rd part software
- Simple sensor connection with automatic sensor recognition, configuration of the sensor using buttons and display on controller or via web browser
- Modular system upgradable with additional I/O modules for customer-specific requirements. The internal communication between I/O components using EtherCAT connection (CSP 2008 acts as master)
- Extremely flexible and powerful functionality; function modules can be combined in many ways
- Simple mounting using DIN rail TS 35



Universal controller with DIN rail TS 35 (dimensions not to scale)

IF1032/ETH

The IF1032/ETH interface module now enables to run sensors equipped with analog interfaces with the proven operating concept based on a web interface. The Ethernet interface permits to easily display the measured data on a PC. Moreover, sensors can be connected to an EtherCAT bus. The RS485 interface allows to connect new sensors that use the Micro-Epsilon specific RS485 protocol.

Interfaces

- 1x RS485 (ME-internal protocol)
- 2x analog-in (14 bit, max. 4 ksps), voltage
- 1x analog-in, (14 bit, max. 4 ksps), current
- Inputs for supply voltage
- Trigger input
- EtherCAT synchronisation output
- Output for sensor power supply



Accessories optoCONTROL 1200/1201

Article number	Model	Description
2901260	PC1200-5	Power supply and signal cable 5 m, straight connector, for light source and receiver unit
2901483	PC1200-10	Power supply and signal cable 10 m, straight connector, for light source and receiver unit
2901261	PC1200/90-5	Power supply and signal cable 5 m, angled connector, for light source and receiver unit
0260031.11	DD241PC(11)-U	Digital display unit, RS232, connection for 1 analog sensor 0-10 V, 2 limit switches
2420066	IF1032/ETH	ME Ethernet/EtherCAT interface module max. 14 Bit/4k samples/sec
2966006 *	ODC1202-L100	Mounting rail for ODC1202, 400 mm; distance light source/receiver max. 100 mm
2966007 *	ODC1202-L200	Mounting rail for ODC1202, 500 mm; distance light source/receiver max. 200 mm
2966008 *	ODC1202-L500	Mounting rail for ODC1202, 800 mm; distance light source/receiver max. 500 mm
2966018	JU1200-VR	ODC1200 adjustment plate for vertical mounting of the receiver
2966019	JU1200-HR	ODC1200 adjustment plate for horizontal mounting of the receiver
2966020	JU1200-VT	ODC1200 adjustment plate for vertical mounting of the transmitter
2966021	JU1200-HT	ODC1200 adjustment plate for horizontal mounting of the transmitter
2966024	BR1200L220	Bracket for mounting as C-frame, length 220 mm, 2 pcs. required
2966025	BR1200L320	Bracket four mounting as C-frame, height 320 mm, 2 pcs. required

*only for C-frame mounting combined with adjustment plate JU1200 and bracket BR1200

Accessories optoCONTROL 1202

2901497	CE1202-2	Connecting cable light source-receiver, 2 m
2901482	CE1202-5	Connecting cable light source-receiver, 5 m
2901371	SCD1202-2-RS232	Digital output cable, 2 m, for connection to a RS232 port
2901509	SCD1202-5-RS232	Digital output cable, 5 m, for connection to a RS232 port
2901848	SCD12xx-2-USB	Digital output cable for USB connection incl. driver, 2 m
2901373	SCA1202-2	Power supply and analog output cable, 2 m
2901510	SCA1202-5	Power supply and analog output cable, 5 m
2966006	ODC1202-L100	Mounting rail for ODC1202, 400 mm; distance light source/receiver max. 100 mm
2966007	ODC1202-L200	Mounting rail for ODC1202, 500 mm; distance light source/receiver max. 200 mm
2966008	ODC1202-L500	Mounting rail for ODC1202, 800 mm; distance light source/receiver max. 500 mm
6414114	EK1100/CSP2008	Bus terminal
6414107	EL3162/CSP2008	Bus terminal; 2-channel analog input terminal
2420057	CSP2008	Universal controller for displacement sensors
2420066	IF1032/ETH	ME Ethernet/EtherCAT interface module max. 14 Bit/4k samples/sec

Accessories optoCONTROL 1220

2901871	CE1220-1	Connecting cable light source-receiver, 1 m
2901851	CE1220-2	Connecting cable light source-receiver, 2 m
2901852	CE1220-5	Connecting cable light source-receiver, 5 m
2901371	SCD1202-2-RS232	Digital output cable, 2 m, for connection to a RS232 port
2901509	SCD1202-5-RS232	Digital output cable, 5 m, for connection to a RS232 port
2901848	SCD12xx-2-USB	Digital output cable for USB connection incl. driver, 2 m
2901373	SCA1202-2	Power supply and analog output cable, 2 m
2901510	SCA1202-5	Power supply and analog output cable, 5 m
2966009	ODC1220-L220	Mounting rail for ODC1220, 400 mm; distance light source/receiver max. 220 mm
2966011	ODC1220-L420	Mounting rail for ODC1220; 600 mm; distance light source/receiver max. 420 mm
2966012	ODC1220-L620	Mounting rail for ODC1220; 800 mm; distance light source/receiver max. 620 mm
6414114	EK1100/CSP2008	Bus terminal
6414107	EL3162/CSP2008	Bus terminal; 2-channel analog input terminal
2420057	CSP2008	Universal controller for displacement sensors
2420066	IF1032/ETH	ME Ethernet/EtherCAT interface module max. 14 Bit/4k samples/sec

Accessories optoCONTROL 2500/2600

2901123	PC2500-3	Power supply cable 3 m, open
2901124	PC2500-10	Power supply cable 10 m, open
2901120	SCA2500-3	Signal output cable, analog, 3 m
2901215	SCA2500-10	Signal output cable, analog, 10 m
2901121	SCD2500-3/3/RS232	Signal output cable, 3 m, analog / RS232
2213017	IF2008	PCI interface card RS422
2213018	IF2008E	Expansion board analog / RS422 / PCI
2901122	SCD2500-3/10/RS422	Signal output cable, 3 m, analog / RS422, 10 m
2901057	CE1800-3	Sensor cable extension for camera, 3 m
2901118	CE2500-3	Sensor cable extension for light source, 3 m
2901058	CE1800-8	Sensor cable extension for camera, 8 m
2901119	CE2500-8	Sensor cable extension for light source, 8 m
2420057	CSP2008	Universal controller for up to six sensor signals
2901504	SCD2500-3/CSP	Output cable, 3 m, for connection to CSP2008
2901505	SCD2500-10/CSP	Output cable, 10 m, for connection to CSP2008

Accessories optoCONTROL 2500/2600

2964022	MBC300	Assembly block for controller ODC2500/2600
2213024	IF2004/USB converter	4 channel RS422/USB converter
2213025	IF2001/USB converter	IF2001/USB converter RS422 to USB
2213022	RS-422/USB converter	Industrial converter for ODC2xxx sensors, RS-422/USB
29011111	SCD2500-3/RS422	Output cable RS422, 3 m, open ends
2901528	IF2008-Y adaptation cable	Adaptation cable, Y-type, 100 mm
2901561	SCD2500-3/IF2008	Interface cable
2901563	SCD2500-8/IF2008	Interface cable
6414071	Extension clamp	Extension clamp RS422 to CSP2008

Accessories optoCONTROL 2520

2901925	SCD2520-3	Digital output cable, 3 m, RJ45/ Ethernet/EtherCAT
29011002	SCD2520/90-5	Digital output cable, 5 m, RJ45/ Ethernet/EtherCAT
29011042	SCD2520/90-8	Digital output cable, 8 m, RJ45/ Ethernet/EtherCAT
29011003	PC/SC2520/90-5	Supply-, interface- and signal cable, 5 m
2901918	PC/SC2520-3	Supply-, interface- and signal cable, 3 m
29011037	PC/SC2520-10	Supply-, interface- and signal cable, 10 m
29011038	PC/SC2520-20	Supply-, interface- and signal cable, 20 m
29011039	PC/SC2520-30	Supply-, interface- and signal cable, 30 m
29011040	SCD2520-5 M12	Digital output cable Ethernet/EtherCAT, 5 m
2901919	CE2520-1	Connecting cable light source-receiver, 1 m
2901920	CE2520-2	Connecting cable light source-receiver, 2 m
2901921	CE2520-5	Connecting cable light source-receiver, 5 m
2901922	CE2520/90-1	Connecting cable light source-receiver, 1 m
2901923	CE2520/90-2	Connecting cable light source-receiver, 2 m
2901924	CE2520/90-5	Connecting cable light source-receiver, 5 m
2901967	PC/SC2520-3/CSP	Interface and supply cable for CSP2008
29011014	PC/SC2520-3/IF2008	Interface and supply cable for IF2008
2213024	IF2004/USB converter	4 channel RS422/USB converter
2213022	RS-422/USB converter	Industrial converter for ODC2xxx sensors, RS-422/USB
2213025	IF2001/USB converter	Single channel RS422/USB converter
0260031.10	DD241PC(10)-U	Digital process display, 0...10 V
0260031.11	DD241PC(11)-U	Digital process display, 2 limit switches, 0...10 V
2213017	IF2008	PCI interface card RS422
2213018	IF2008E	Expansion board analog / RS422 / PCI
2901528	IF2008-Y adaptation cable	Adaptation cable, Y-type, 100 mm
2420057	CSP2008	Universal controller for displacement sensors
6414071	Extension clamp	Extension clamp RS422 to CSP2008
6414113	EK1122/CSP2008	2 port RJ45 EtherCAT junction
6414114	EK1100/CSP2008	Bus terminal

Accessories power supplies

2420065	PS2030	Wall power supply 24 V / 24 W / 1 A; 2 m-PVC; clamp
2420062	PS2020	Power supply for DIN rail mounting 24 VDC / 2.5 A
2420042	PS2011	Power supply for laboratory use 230 VAC/ 24 VDC / 5.2 A

Further cable lengths on request.



Laser radiation
Do not view directly with
optical instruments
Class 1M Laser Product
IEC 60825-1: 2008-05
P≤2mW, E≤0.2mW/cm²; λ=670nm

optoCONTROL 2520 use a semiconductor class 1M laser with a wavelength of 670 nm. The maximum optical output power is ≤ 2 mW. This laser class does not require any additional protection equipment. Be careful with the dazzling effect related to optical instruments.



Class 1 Laser Product
IEC 60825-1: 2008-05

optoCONTROL 12xx and 2500 use a semiconductor class 1 laser with a wavelength of 670nm. The maximum optical output power is ≤ 0.39 mW. This laser class does not require any additional protection equipment.

**THIS PRODUCT COMPLIES
WITH FDA REGULATIONS
21CFR 1040.10 AND 1040.11**

Sensors and Systems from Micro-Epsilon



Sensors and systems for displacement, distance and position



Sensors and measurement devices for non-contact temperature measurement



Measuring and inspection systems for metal strips, plastics and rubber



Optical micrometers and fiber optics, measuring and test amplifiers



Color recognition sensors, LED analyzers and inline color spectrometers



3D measurement technology for dimensional testing and surface inspection