



More Precision

Eltrotec // Industrial Endoscopes





- Ø 6, 8 and 9 mm
- Continuously swiveling lens from -7° to 133°
- Perfect optical system
- Optimized light conductors for excellent image brightness
- External focus ring for diopter adjustment
- Probe rotatable by 370°

The Eltrotec MKF-D is unique thanks to its continuously swiveling lens from -7° to 133° . The entire region in front of the endoscope can be inspected by moving the prism. With the 370° rotatable probe no detail remains hidden.

High quality lens systems provide clear and sharp images with perfect resolution. Due to the offset focus ring and the possibility to unscrew the eye funnel, the endoscopes are ideally suited for use with a camera. The object is illuminated by an external light source.

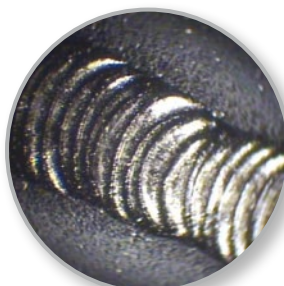
Operating conditions:

- Temperature in air:
 - Endoscope probe: -20°C to $+100^{\circ}\text{C}$
- Entire endoscope: -20°C to $+50^{\circ}\text{C}$
- Pressure resistance in air: up to 2 bar
- Resistance to liquids:
 - The endoscope probe may be immersed in the following liquids for a short time: water, saline solution (5 %), kerosene, gasoline, diesel, 70 % alcohol
- Humidity: up to 95 % at 40° (non-condensing)

Application examples:



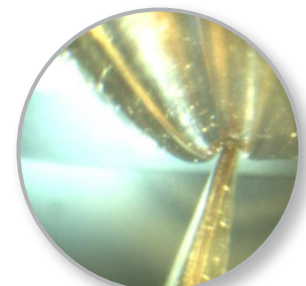
Oil filter



Inspecting a weld seam



Checking brake cylinder for burrs

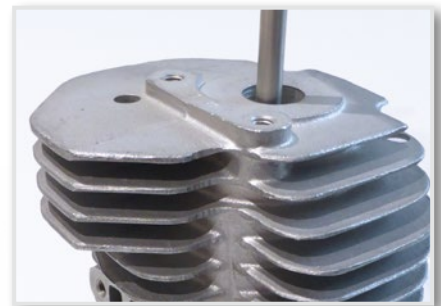
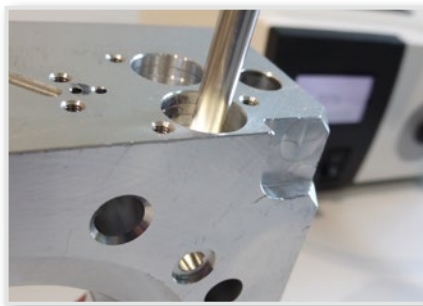
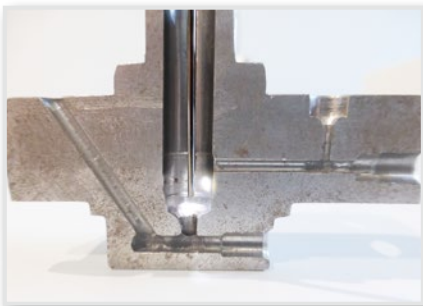
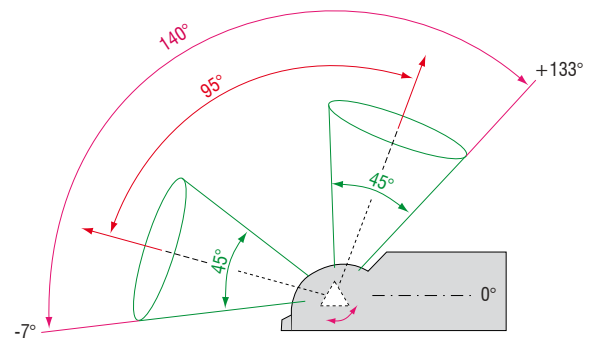


Slip ring

Type MKF-D					
Outer-Ø mm	Direction of view	Aperture angle	Length mm	Rotatable probe	Article no.
6	-7° to +133°	45°	175	yes	20122075
			315		20122077
			455		20122079
8	-7° to +133°	45°	185	yes	20122081
			325		20122083
			395		20122084
			465		20121369
9	-7° to +133°	45°	605	yes	20121370
			305		20122086
			405		20122087
			605		20122089
			805		20121510



Swing prism of the MKF-D



Sensors and Systems from Micro-Epsilon



Sensors and systems for displacement, distance and position



Sensors and measurement devices for non-contact temperature measurement



Measuring and inspection systems for metal strips, plastics and rubber



Optical micrometers and fiber optics, measuring and test amplifiers



Color recognition sensors, LED analyzers and inline color spectrometers



Industrial endoscopes, light sources